



## YJ LINK

- SMART CONVEYOR ·
- BOARD HANDLING EQUIPMENT ·
- LASER MARKING MACHINE ·
- ROUTER ·
- REJECT VERIFICATION SYSTEM ·

CE | EN Y Series | V.26.01





## Board Handling Equipment & Smart Factory Solution



## GREETING

YJ Link Co., Ltd. is a global supplier who is manufacturing and exporting board handling equipment, laser marking machine, router and smart conveyor for SMT automation process.

With continuous product development in the SMT field, as an AVL (Approval Vendor List) company that has been recognized for its product quality and responsiveness from customers around the world in automotive, electricity & electronics, defense industry and medical fields, we are becoming the leading manufacturer of SMT peripherals in Korea with continuous sales growth.

Especially in the center of the 4th industrial revolution, by providing Smart Conveyor System of SMT Automation Process, we are providing prompt and accurate solution such as Magazine Tower and AGV.

In the future, we will be a leader in linking the world to reflect the needs of our customers with steady technology development.

Thank you!



YJ LINK VIDEO

## HISTORY

2009	06	Established YJ Link Co.,Ltd.
	08	Registered in global F company AVL
	10	Certificate of Venture Business
2010	01	Received certificate for Company-affiliated Research and Development Institute
	03	Established YJ Link Japan Co.,Ltd.
	04	Developed model 1.0(A series) Laser marking machine
2013	01	INNO-BIZ
	12	Selected as Promising Export Small and Medium Enterprise
2014	04	Selected as Global Hidden Champion
	06	Selected as Star Company
	06	Established Suzhou YJ Link Co.,Ltd.
	06	Established YJ Link Inc.
	12	Awarded Citation from Ministry of Commerce Industry and Energy Presidential Citation Award(Awarded USD 10 million Export Tower)
2015	02	Registered in global C company SSL
	07	Opened Office/DEMO Room in Germany
	07	Established YJ Link Mexico S.A. De C.V.
2016	10	Small and Medium Enterprise Award
	12	Certified as Small and Medium Enterprises for Talent Development
2017	02	Registered in global V company AVL
	04	Registered in global T company AVL
	05	Developed Smart Conveyor System(Embedded System Applied)
2018	02	Developed AGV(Automated Guided Vehicle)
	02	Initiated Contribution to the Green Umbrella Children's Foundation
	05	Reselected as Global Hidden Champion
	12	Awarded 'USD 20 million Export Tower'
2019	01	Registered in global J company AVL
	05	Reselected as Star Company
	05	Awarded 'The Leading Exporter' in Korea
2020	05	Established YJ Link VINA Co.,Ltd. (Manufacturing Corporation/20,594.2㎡)
	06	Developed model 2.0(Y series) Board handling equipment and Laser marking machine
2021	01	Registered in global H company AVL
	03	Registered in global V company AVL
	11	Established YJ Link Europe GmbH
2022	01	Certificate of Daegu Local Innovation Leader
	05	Certificate of ISO 14001(Environmental Management System)
	09	Certificate of AEO(Authorized Economic Operator)
2023	03	Certificate of ISO 45001(Occupational Health and Safety Management System)
	09	Awarded 'A Company to Work for'
	11	Selected as Excellent Star Company
	12	Awarded KCAMP Grand Prize in Business
2024	04	Established YJ Link India
	05	Developed E series Board handling equipment
	10	Registered in global K company AVL
	10	Established SFS(Smart Factory Solution) Division
	10	Listed on KOSDAQ

\*AVL : Approval Vendor List



## CONTACT WORLDWIDE



### YJ LINK CO.,LTD. (HQ) / Daegu, Korea

**Address** 110, Secheonro 1 Gil, Dasa Eup, Dalseong Gun, Daegu, Korea (ZIP : 42921)  
**Tel** +82-53-592-1723  
**FAX** +82-53-592-1724  
**E-Mail** sales@yjlink.com



### YJ LINK VINA (Manufacturing Corp.) / Haiphong, Vietnam

**Address** An Duong Industrial zone, Hong Phong commune, An Duong district, Hai Phong city, Vietnam LOT B-31 CN4  
**Tel** +84-0225-2299-420  
**E-Mail** yjvietnam@yjlink.com



### YJ LINK MEXICO (Manufacturing Corp.) / Guadalajara, Mexico

**Address** AV. ADOLF BERNARD HORN JR. 3510 COL. LA GIGANTERA TLAJOMULCO DE ZÚÑIGA, JALISCO, CP 45420, MEXICO  
**Tel** +52-33-3334-0958 / +52-33-1562-0462  
**E-Mail** sales@yjlinkus.com



### YJ LINK EUROPE (Show Room) / Eschborn, Germany

**Address** Helfmann-Park 8-10, D-65760, Eschborn, Deutschland, Germany  
**Tel** +49-6196-7798-850  
**E-Mail** yjeu@yjlink.com



### YJ LINK JAPAN (Show Room) / Chiryushi, Japan

**Address** Isals3-7-12torii, chiryushi, aichiken 472-0055 Japan  
**Tel** +82-53-592-1723  
**E-Mail** yj japan@yjlink.com



### YJ LINK CHINA / Suzhou, China

**Address** Room 1218, Block D, 12F, Jiacheng Building, No.128 zhongxin Avenue West, Suzhou Industrial Park  
**Tel** +86-173-1526-5242  
**E-Mail** yjchina@yjlink.com



### YJ LINK INDIA / Bengaluru, India

**Address** 2nd Floor, No 883, D-Block, Sahakarnagar, Bengaluru, Karnataka 560092, India  
**E-Mail** yjindia@yjlink.com



### YJ LINK Suwon Office (Show Room) / Gyeonggi-do, Korea

**Address** 1629, Seobu-ro, Gwonseon-gu, Suwon-si, Gyeonggi-do, Republic of Korea  
**E-Mail** yjseoul@yjlink.com



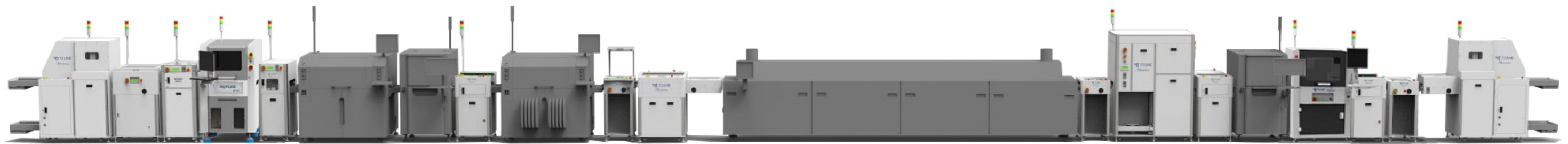
### YJ LINK Hanoi Office (Show Room) / Hanoi, Vietnam

**Address** 5/6 VuDuc Than Street, Duc Giang Ward, Long Bien District, Hanoi, Vietnam  
**Tel** +82-31-546-8423  
**E-Mail** yjvietnam@yjlink.com

# LAY-OUT

## BOARD HANDLING EQUIPMENT

01_ MAGAZINE LOADER	06_ SCREEN PRINTER	11_ GATE CONVEYOR	16_ AOI
02_ DESTACKER	07_ SPI	12_ OVEN	17_ REVIEW VERIFICATION SYSTEM
03_ VERTICAL TURN	08_ NG CONVEYOR	13_ COOLING CONVEYOR	18_ NG CONVEYOR
04_ LASER MARKING MACHINE	09_ MOUNTER	14_ COMBI-MAGAZINE	19_ CONNECTION CONVEYOR
05_ PCB CLEANER	10_ WORK CONVEYOR	15_ SHUTTLE CONVEYOR	20_ MAGAZINE UNLOADER



1	2	3	4	5	6	7	8	9	10	11	12	13	14	15	16	17	18	19	20
---	---	---	---	---	---	---	---	---	----	----	----	----	----	----	----	----	----	----	----

### Loader / Unloader Series

		SMT	POST-PROCESS
Magazine Loader	YML-00	10P	-
Magazine Loader - All type(Bar)	YML-10	12P	-
Magazine Loader - All type (Chain)	YML-30	14P	-
Shuttle Loader	YSL-00 / YSL-01	16P	-
Shuttle Loader - AGV	YSL-10 / YSL-11	18P	-
Magazine Unloader	YMU-00	20P	-
Magazine Unloader - All type(Bar)	YMU-10	22P	-
Magazine Unloader - All type (Chain)	YMU-30	24P	-
Shuttle Unloader	YSU-00 / YSU-01	26P	-
Shuttle Unloader - AGV	YSU-10 / YSU-11	28P	-
Vacuum Loader - Edge	YVL-00	30P	-
Vacuum Loader - Magnet	YVL-10	32P	-
Destacker - Knife	YDL-00	34P	-
Destacker - Clamp	YDL-10	36P	-
Destacker - Clmap(Batch)	YDL-11	38P	-
Stacker	YPU-00	40P	-

### Buffer Series

Tower	YTR-00 / YTR-01	44P	44P
Tower - Cooling	YTR-10 / YTR-11	46P	46P
Tower + NG Conveyor	YTN-01	48P	48P
Tower + Conveyor - Cooling	YTC-00 / YTC-01	50P	-
Magazine Buffer	YMB-00	52P	-
Combi - Magazine	YCM-01	54P	-
Combi - Rack	YCR-03	56P	-

### Conveyor Series

PCB Cleaner - Vacuum	YPC-00	60P	-
----------------------	--------	-----	---

PCB Cleaner - Vacuum + Sticky roller	YPC-01	62P	-
Gate Conveyor - Telescope	YGC-00	64P	64P
Gate Conveyor - Down/Up	YGC-10	66P	66P
Vertical Turn	YVT-00	68P	68P
Horizontal Turn	YHT-00	70P	70P
Shuttle Conveyor	YSC-00 / YSC-01 / YSC-02 / YSC-03 / YSC-04 / YSC-05 / YSC-06 / YSC-07	72P	72P
NG Conveyor	YNC-00	74P	74P
Connection Conveyor	YCC-00 / YCC-01	76P	76P
Connection Conveyor - Cooling	YCC-20 / YCC-21	78P	78P
Connection Conveyor - Barcode Manual Bracket(Single sided)	YCC-40 / YCC-41	80P	-
Connection Conveyor - Barcode Manual Bracket(Double sided)	YCC-50 / YCC-51	82P	-
Work Conveyor - Inspection	YWC-00 / YWC-01 / YWC-02	84P	84P
Work Conveyor - Work	YWC-20 / YWC-21 / YWC-22	86P	86P
Sky Line - Elevator Unit	YEU-00 / YEU-01	88P	-
Sky Line - Connection Conveyor	YCC-60	90P	-
Pallet Return Line - Elevator Unit	YEU-10	-	92P
Pallet Return Line - Connection Conveyor	YCC-71	-	94P
Barcode Scanning Conveyor	YBS-00 / YBS-01	96P	-

### Traceability / Post-processing

[Marking machine] NOV LUX Laser Marking Machine - CO2	YLM-00	100P	-
[Marking machine] NOV LUX Laser Marking Machine - Hybrid	YLM-10	102P	-
[Routing machine] ARMAS Router - Bronze	YRM-00	104P	-
[Routing machine] ARMAS Router - Silver	YRM-10	106P	-
[Routing machine] ARMAS Router - Platinum	YRM-20	108P	-
[Reject Verification] VISPLO Reject Verification System	YCI-10	110P	-
<b>Index (Standard Feature &amp; Common Option Spec &amp; Magazine Rack)</b>		112P	

# BOARD HANDLING

## LOADER / UNLOADER SERIES

Magazine Loader	.....	P. 10
Magazine Loader - All type (Bar)	.....	P. 12
Magazine Loader - All type (Chain)	.....	P. 14
Shuttle Loader	.....	P. 16
Shuttle Loader - AGV	.....	P. 18
Magazine Unloader	.....	P. 20
Magazine Unloader - All type (Bar)	.....	P. 22
Magazine Unloader - All type (Chain)	.....	P. 24
Shuttle Unloader	.....	P. 26
Shuttle Unloader - AGV	.....	P. 28
Vacuum Loader - Edge	.....	P. 30
Vacuum Loader - Magnet	.....	P. 32
Destacker - Knife	.....	P. 34
Destacker - Clamp	.....	P. 36
Destacker - Clamp(Batch)	.....	P. 38
Stacker	.....	P. 40



➤ Magazine Loader



➤ Shuttle Loader - AGV



➤ Shuttle Unloader



➤ Destacker - Knife



➤ Magazine Loader-All type (Bar)



➤ Magazine Unloader



➤ Shuttle Unloader - AGV



➤ Destacker - Clamp



➤ Magazine Loader - All type (Chain)



➤ Magazine Unloader - All type (Bar)



➤ Vacuum Loader - Edge



➤ Destacker - Clamp(Batch)



➤ Shuttle Loader



➤ Magazine Unloader - All type (Chain)



➤ Vacuum Loader - Magnet



➤ Stacker

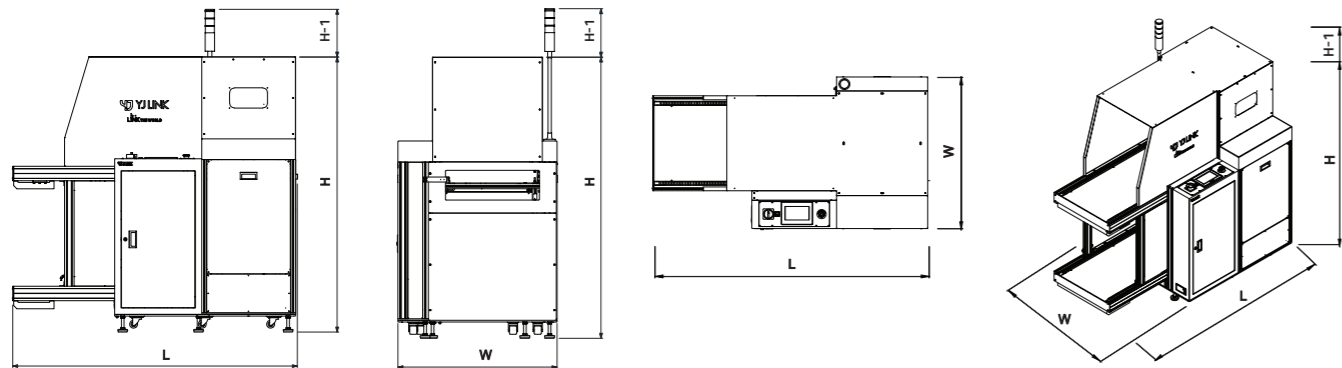
# Magazine Loader



Located at the first stage of SMT line, this unit transfers PCBs stacked in a magazine rack to the downstream machine using a pneumatic pusher one by one.



\*The protrusion length of the upper and lower conveyors for magazine rack loading/unloading varies depending on the equipment size.



\* Dimension: Based on pass line 950mm. Height may change depending on pass line.

SMT		SIZE	DIMENSION (mm)				WEIGHT (Kg)	
CODE No.	MODEL		L	W	H	H-1		
M-10C-YM1-0100	YML-1M00	M	1502	1702	755	1700	2000	303
M-10C-YL1-0100	YML-1L00	L	1702	1702	835	1700	2000	321
M-10C-YX1-0100	YML-1X00	X	1763	1763	965	1700	2000	349

• When Jam detect function option is selected

## Standard Spec.

Item	Selectable Standard		Item	Standard	
Line Flow	Left to Right	Right to Left	Magazine Slot (ea)	50	
Fixed Rail	Front	Rear	Magazine A size	34mm	
Pass Line (mm)	950±20	900±20	Magazine B size	34mm	
Voltage & Frequency	220V±(10%) & 50 ~ 60Hz		PCB Loading	Upper to Bottom (50 to 1)	
	110V±(10%) & 50 ~ 60Hz		Magazine Loading	Bottom to Upper	
PCB Size	M	L	X	Pitch	1~6 (10~60mm)
Min.PCB (L X W) (mm)	70 X 50			Magazine Capacity (ea) *	Upper 2 / Lower 2
Max.PCB (L X W) (mm)	330 X 250	440 X 330	460 X 460	Exit Guide	Fixed block in fixed rail side
Item	Standard			Item	Standard
PCB Top/Bottom Clearance (mm) *	30 / 25			Jam Detect Function *	Pneumatic
PCB Edge (mm)	3			Safety Cover	Outer / Motor
PCB Loading Weight (kg)	3			Width Adjustment(Pusher) *	Manual
PCB Thickness (mm)	0.6 ~ 4.0			Interface	SMEMA Communication
PCB Color	Green			Smema Cable	3m / 1 ea
Magazine Size (L X W X H)(mm)	M	L	X	Alarm	Tower lamp (3 color)
	355 X 320 X 570	460 X 400 X 575	535 X 530 X 575	Color *	SR RAL 7035 : NON ESD
Magazine Full Rack (kg)	20	30	50	Air Supply	0.5Mpa (5bar)
				Air Usage	11.30 ℓ/min
				Electricity Consumption	320W

## Option Spec.

Item	CODE No.	Option
Width Adjustment(Pusher) *	O-100-HW0-0205	Auto / 1ea
PCB Top/Bottom Clearance (mm) *	O-100-HW0-0900	60 / 60
	O-100-HW0-0901	100 / 100
High Speed Magazine Change	O-100-HW1-0100	**Cycle time 26sec.
Jam Detect Function *	O-100-HW1-0202	-
Magazine Capacity (ea) *	O-100-HW1-0401	Upper 2 / Lower 3
	O-100-HW1-0402	Upper 3 / Lower 3
Width Synchronization	O-100-SW0-0200	via RS-485
Line Control	O-200-LC0-0100	Hermes
	O-200-LC0-0200	Smart kit (LAN communication PLC)
Color *	O-400-CO0-0100	ESD powder coating (RAL 7035 / Gray)

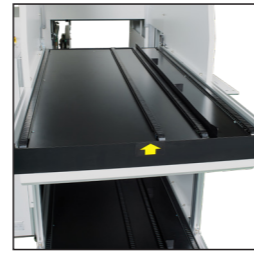
Line Control System for Smart Line / MES / Color-NON ESD ▶ Refer to P.114(Common Option Spec.).

\*\*High Speed Magazine Change Option Sequence : last board loading – lifter goes up – current magazine rack is out – lifter goes down – new magazine rack is loaded – ready to send the first board.

# Magazine Loader - All type(Bar)

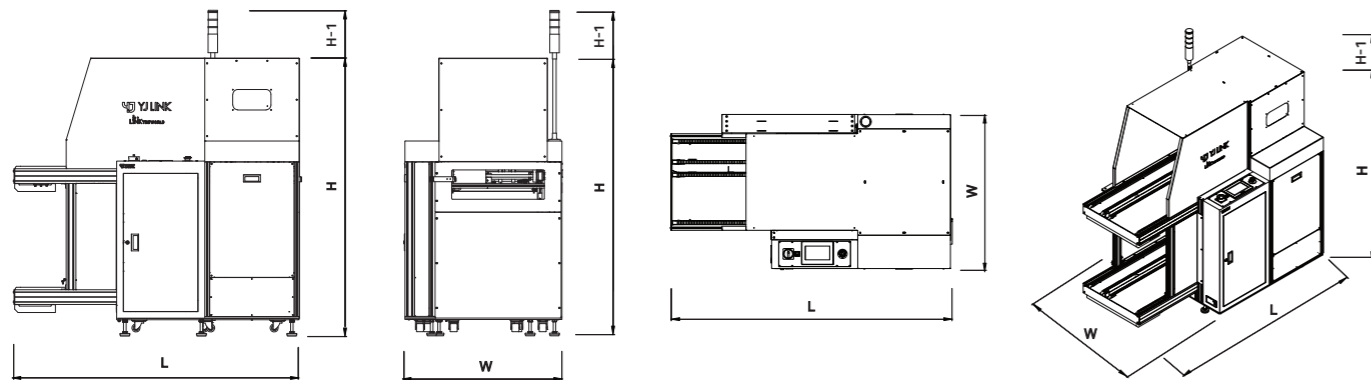


Located at the first stage of SMT line, this unit transfers PCBs stacked in a magazine rack to the downstream machine using a pneumatic pusher one by one. The magazine conveyor part and the inside of the lifter are designed to accommodate racks of various sizes.



Magazine Guide Holder

\*The protrusion length of the upper and lower conveyors for magazine rack loading/unloading varies depending on the equipment size.



\* Dimension: Based on pass line 950mm. Height may change depending on pass line.

SMT		SIZE	DIMENSION (mm)				WEIGHT (Kg)
CODE No.	MODEL		L	W	H	H-1	
M-10C-YX1-0101	YML-1X10	X	1763	965	1706	2000	364

## Standard Spec.

Item	Selectable Standard		Item	Standard
Line Flow	Left to Right	Right to Left	Magazine Slot (ea)	50
Fixed Rail	Front	Rear	Magazine A size	34mm
Pass Line (mm)	950±20	900±20	Magazine B size	34mm
Voltage & Frequency	220V±(10%) & 50 ~ 60Hz	110V±(10%) & 50 ~ 60Hz	PCB Loading	Upper to Bottom (50 to 1)
PCB Size	X		Magazine Loading	Bottom to Upper
Min.PCB (L X W) (mm)	70 X 50		Pitch	1~6 (10~60mm)
Max.PCB (L X W) (mm)	460 X 460		Magazine Capacity (ea) *	Upper 2 / Lower 2
Item	Standard		Exit Guide	Fixed block in fixed rail side
PCB Top/Bottom Clearance (mm) *	30 / 25		Jam Detect Function *	Pneumatic
PCB Edge (mm)	3		Safety Cover	Outer / Motor
PCB Loading Weight (kg)	3		Width Adjustment(Pusher) *	Manual
PCB Thickness (mm)	0.6 ~ 4.0		Interface	SMEMA Communication
PCB Color	Green		Smema Cable	3m / 1 ea
Magazine Size (L X W X H)(mm)	X 535 X 530 X 575		Alarm	Tower lamp (3 color)
Magazine Full Rack (kg)	50		Color *	SR RAL 7035 : NON ESD
			Air Supply	0.5Mpa (5bar)
			Air Usage	11.30 ℓ/min
			Electricity Consumption	370W

## Option Spec.

Item	CODE No.	Option
Width Adjustment(Pusher) *	O-100-HW0-0205	Auto / 1ea
PCB Top/Bottom Clearance (mm) *	O-100-HW0-0900	60 / 60
	O-100-HW0-0901	100 / 100
High Speed Magazine Change	O-100-HW1-0100	**Cycle time 26sec.
Jam Detect Function *	O-100-HW1-0202	-
Magazine Capacity (ea) *	O-100-HW1-0401	Upper 2 / Lower 3
	O-100-HW1-0402	Upper 3 / Lower 3
Width Synchronization	O-100-SW0-0200	via RS-485
Line Control	O-200-LC0-0100	Hermes
	O-200-LC0-0200	Smart kit (LAN communication PLC)
Color *	O-400-CO0-0100	ESD powder coating (RAL 7035 / Gray)

Line Control System for Smart Line / MES / Color-NON ESD ▶ Refer to P.114(Common Option Spec.).

\*\*High Speed Magazine Change Option Sequence : last board loading – lifter goes up – current magazine rack is out – lifter goes down – new magazine rack is loaded – ready to send the first board.

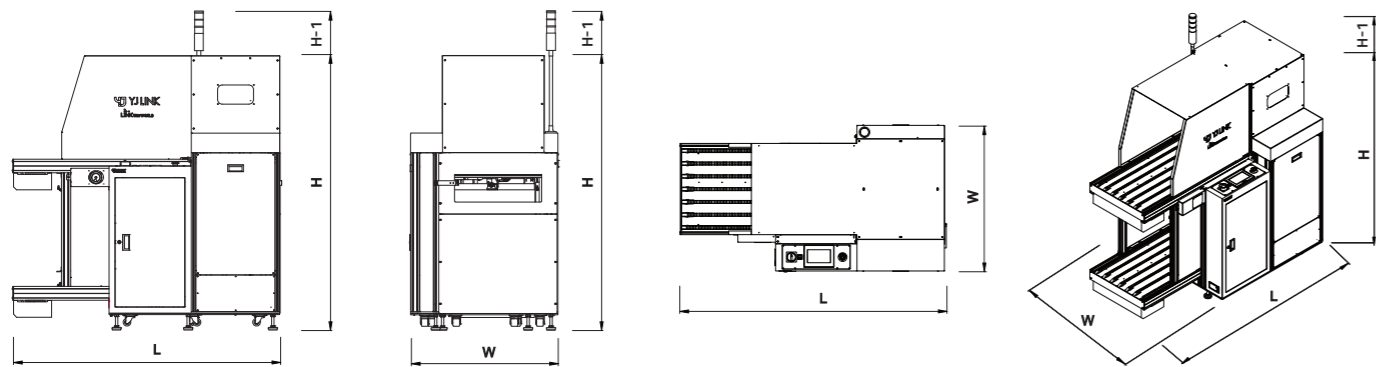
# Magazine Loader - All type(Chain)



Located at the first stage of SMT line, this unit transfers PCBs stacked in a magazine rack to the downstream machine using a pneumatic pusher one by one. The magazine conveyor part and the inside of the lifter are designed to accommodate racks of various sizes.



\*The protrusion length of the upper and lower conveyors for magazine rack loading/unloading varies depending on the equipment size.



\* Dimension: Based on pass line 950mm. Height may change depending on pass line.

SMT		SIZE	DIMENSION (mm)				WEIGHT (Kg)
CODE No.	MODEL		L	W	H	H-1	
M-10C-YX1-0102	YML-1X30	X	1763	965	1800	2100	420

## Standard Spec.

Item	Selectable Standard		Item	Standard
Line Flow	Left to Right	Right to Left	Magazine Slot (ea)	50
Fixed Rail	Front	Rear	Magazine A size	34mm
Pass Line (mm)	950±20	900±20	Magazine B size	34mm
Voltage & Frequency	220V±(10%) & 50 ~ 60Hz	110V±(10%) & 50 ~ 60Hz	PCB Loading	Upper to Bottom (50 to 1)
	X		Magazine Loading	Bottom to Upper
PCB Size	X		Pitch	1~6 (10~60mm)
Min.PCB (L X W) (mm)	70 X 50		Magazine Capacity (ea) *	Upper 2 / Lower 2
Max.PCB (L X W) (mm)	460 X 460		Exit Guide	Fixed block in fixed rail side
Item	Standard		Jam Detect Function *	Pneumatic
PCB Top/Bottom Clearance (mm) *	30 / 25		Safety Cover	Outer / Motor
PCB Edge (mm)	3		Width Adjustment(Pusher) *	Manual
PCB Loading Weight (kg)	3		Interface	SMEMA Communication
PCB Thickness (mm)	0.6 ~ 4.0		Smema Cable	3m / 1 ea
PCB Color	Green		Alarm	Tower lamp (3 color)
Magazine Size (L X W X H)(mm)	X		Color *	SR RAL 7035 : NON ESD
	535 X 530 X 575		Air Supply	0.5Mpa (5bar)
Magazine Full Rack (kg)	50		Air Usage	11.30 ℓ/min
	50		Electricity Consumption	370W

## Option Spec.

Item	CODE No.	Option
Width Adjustment(Pusher) *	O-100-HW0-0205	Auto / 1ea
PCB Top/Bottom Clearance (mm) *	O-100-HW0-0900	60 / 60
	O-100-HW0-0901	100 / 100
High Speed Magazine Change	O-100-HW1-0100	**Cycle time 26sec.
Jam Detect Function *	O-100-HW1-0202	-
Magazine Capacity (ea) *	O-100-HW1-0401	Upper 2 / Lower 3
	O-100-HW1-0402	Upper 3 / Lower 3
Width Synchronization	O-100-SW0-0200	via RS-485
Line Control	O-200-LC0-0100	Hermes
	O-200-LC0-0200	Smart kit (LAN communication PLC)
Color *	O-400-CO0-0100	ESD powder coating (RAL 7035 / Gray)

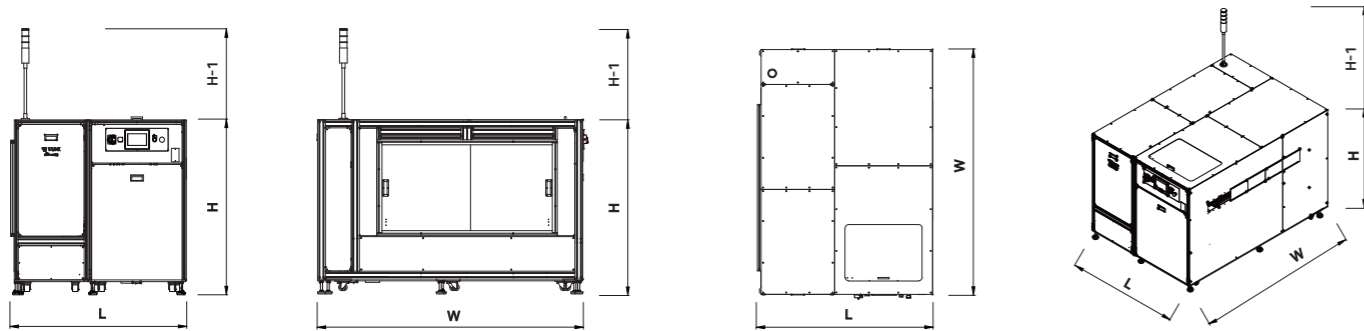
Line Control System for Smart Line / MES / Color-NON ESD ▶ Refer to P.114(Common Option Spec.).

\*\*High Speed Magazine Change Option Sequence : last board loading – lifter goes up – current magazine rack is out – lifter goes down – new magazine rack is loaded – ready to send the first board.

# Shuttle Loader (2-racks / 3-racks)



Located at the first stage of SMT line, this unit consists of a coupling of a single shuttle and a rack part then transfers PCBs stacked in a magazine rack to the downstream machine using a puller mounted on the single shuttle one by one. The rack part is designed to accommodate racks of various sizes.



\* Dimension: Based on pass line 950mm. Height may change depending on pass line.

SMT		Magazine Capacity(ea)	SIZE	DIMENSION (mm)				WEIGHT (Kg)
CODE No.	MODEL			L	W	H	H-1	
M-10C-YM1-0303	YSL-1M00	2-racks	M	1230	1580	1314	2000	545
M-10C-YL1-0303	YSL-1L00	2-racks	L	1330	1740	1314	2000	620
M-10C-YX1-0303	YSL-1X00	2-racks	X	1430	2000	1314	2000	710
M-10C-YM1-0304	YSL-1M01	3-racks	M	1230	2065	1314	2000	705
M-10C-YL1-0304	YSL-1L01	3-racks	L	1330	2305	1314	2000	780
M-10C-YX1-0304	YSL-1X01	3-racks	X	1430	2695	1314	2000	870

## Standard Spec.

Item	Selectable Standard			Item	Standard
Line Flow	Left to Right	Right to Left		Magazine Slot (ea)	45 (First 5 slots from the bottom may not be used)
Fixed Rail	Front	Rear		Magazine A size	34mm
Pass Line (mm)	950±20	900±20		Magazine B size	34mm
Voltage & Frequency	220V±(10%) & 50 ~ 60Hz	110V±(10%) & 50 ~ 60Hz		PCB Loading	Bottom to Upper (6 to 50)
PCB Size	M	L	X	Magazine Clamping	Cylinder
Min.PCB (L X W) (mm)	100 X 70			Magazine Size	All size
Max.PCB (L X W) (mm)	330 X 250	440 X 330	460 X 460	Pitch	1~6 (10~60mm)
Item	Standard			Item	Standard
PCB Top/Bottom Clearance (mm) *	30 / 25			Jam Detect Function *	Pneumatic
PCB Edge (mm)	3			Safety Items	Inside : Auto sliding door (non-contact safety door sensor) Outside : Manual sliding door (key type door sensor)
PCB Loading Weight (kg)	3				
Conveyor Belt	Flat edge belt			Width Adjustment *	Auto
Conveyor Speed(mm/sec) *	200			Interface	SMEMA Communication
PCB Thickness (mm)	0.6 ~ 4.0			Smema Cable	3m / 1 ea
PCB Color	Green			Alarm	Tower lamp (3 color)
PCB In/Out Sensor	Single sensor			Color *	SR RAL 7035 : NON ESD
Magazine Size (L X W X H)(mm)	M	L	X	Air Supply	0.5Mpa (5bar)
	355 X 320 X 570	460 X 400 X 575	535 X 530 X 575	Air Usage	4.0 ℓ/min
				Electricity Consumption	720W

## Option Spec.

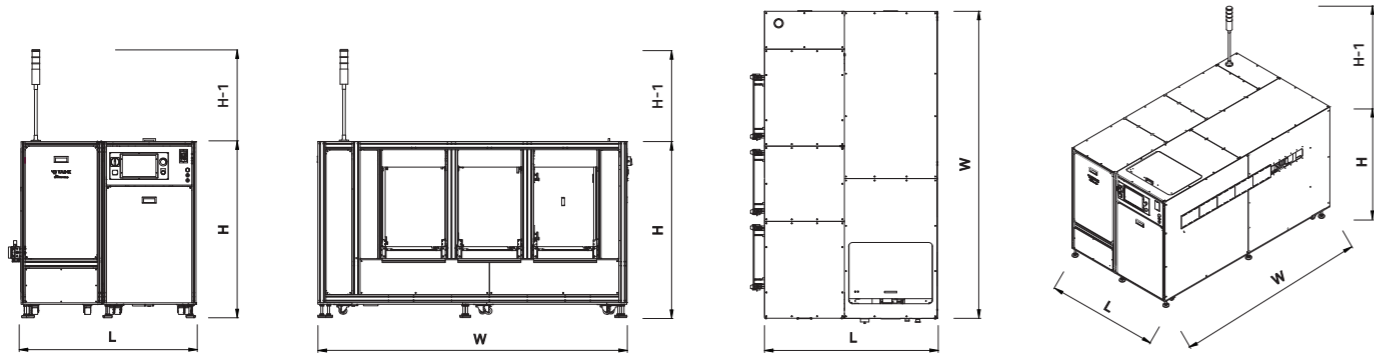
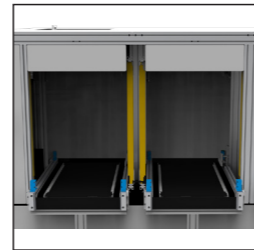
Item	CODE No.	Option
Conveyor Speed (mm/sec) *	O-100-HW0-0104	1~200 / Analog / 1ea
Double Sensors	O-100-HW0-0607	-
PCB Top/Bottom Clearance (mm) *	O-100-HW0-0900	60 / 60
	O-100-HW0-0901	100 / 100
Jam Detect Function *	O-100-HW1-0202	-
Magazine Stopper Release	O-100-HW1-0600	-
Magazine Slot Recognition	O-100-HW1-1000	-
Width Synchronization	O-100-SW0-0200	via RS-485
Line Control	O-200-LC0-0100	Hermes
	O-200-LC0-0200	Smart kit (LAN communication PLC)
Color *	O-400-CO0-0100	ESD powder coating (RAL 7035 / Gray)

Line Control System for Smart Line / MES / Color-NON ESD ▶ Refer to P.114(Common Option Spec.).

# Shuttle Loader - AGV (2-racks / 3-racks)



Located at the first stage of SMT line, this unit consists of a coupling of a single shuttle and a rack part then transfers PCBs stacked in a magazine rack to the downstream machine using a puller mounted on the single shuttle one by one. The rack part interlocks with AGV to supply magazine racks.



\*The image is based on 3-racks.

\* Dimension: Based on pass line 950mm. Height may change depending on pass line.

SMT		Magazine Capacity(ea)	SIZE	DIMENSION (mm)				WEIGHT (Kg)
CODE No.	MODEL			L	W	H	H-1	
M-10C-YM1-0503	YSL-1M10	2-racks	M	1300	1580	1314	2000	565
M-10C-YL1-0503	YSL-1L10	2-racks	L	1400	1740	1314	2000	640
M-10C-YX1-0503	YSL-1X10	2-racks	X	1550	2000	1314	2000	720
M-10C-YM1-0504	YSL-1M11	3-racks	M	1300	2065	1314	2000	695
M-10C-YL1-0504	YSL-1L11	3-racks	L	1400	2305	1314	2000	775
M-10C-YX1-0504	YSL-1X11	3-racks	X	1550	2695	1314	2000	860

## Standard Spec.

Item	Selectable Standard			Item	Standard
Line Flow	Left to Right	Right to Left		Magazine Slot (ea)	45 (First 5 slots from the bottom may not be used)
Fixed Rail	Front	Rear		Magazine A size	34mm
Pass Line (mm)	950±20	900±20		Magazine B size	34mm
Voltage & Frequency	220V±(10%) & 50 ~ 60Hz			PCB Loading	Bottom to Upper (6 to 50)
PCB Size	M	L	X	Magazine Clamping	Cylinder
Min.PCB (L X W) (mm)	100 X 70			Magazine Size	One kind
Max.PCB (L X W) (mm)	330 X 250	440 X 330	460 X 460	Pitch	1~6 (10~60mm)
Item	Standard			Jam Detect Function *	Pneumatic
PCB Top/Bottom Clearance (mm) *	30 / 25			Safety Items	Inside : Auto sliding door (non-contact safety door sensor) Outside : Light curtain
PCB Edge (mm)	3				
PCB Loading Weight (kg)	3			Width Adjustment *	Auto
Conveyor Belt	Flat edge belt			Interface	SMEMA Communication
Conveyor Speed(mm/sec) *	200			Smema Cable	3m / 1 ea
PCB Thickness (mm)	0.6 ~ 4.0			Alarm	Tower lamp (3 color)
PCB Color	Green			Color *	SR RAL 7035 : NON ESD
PCB In/Out Sensor	Single sensor			Air Supply	0.5Mpa (5bar)
Magazine Size (L X W X H)(mm)	M	L	X	Air Usage	4.0 ℓ/min
	355 X 320 X 570	460 X 400 X 575	535 X 530 X 575	Electricity Consumption	720W

## Option Spec.

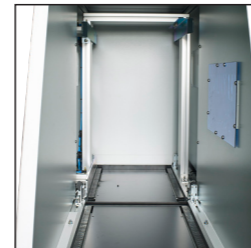
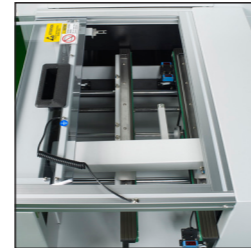
Item	CODE No.	Option
Conveyor Speed (mm/sec) *	O-100-HW0-0104	1~200 / Analog / 1ea
Double Sensors	O-100-HW0-0607	-
PCB Top/Bottom Clearance (mm) *	O-100-HW0-0900	60 / 60
	O-100-HW0-0901	100 / 100
Jam Detect Function *	O-100-HW1-0202	-
Magazine Stopper Release	O-100-HW1-0600	-
Magazine Slot Recognition	O-100-HW1-1000	-
Width Synchronization	O-100-SW0-0200	via RS-485
Line Control	O-200-LC0-0100	Hermes
	O-200-LC0-0200	Smart kit (LAN communication PLC)
Color *	O-400-CO0-0100	ESD powder coating (RAL 7035 / Gray)

Line Control System for Smart Line / MES / Color-NON ESD ▶ Refer to P.114(Common Option Spec.).

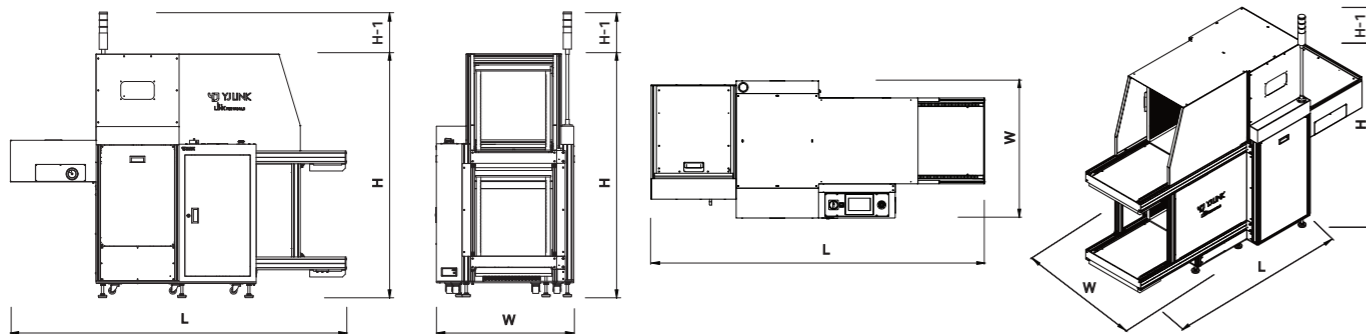
# Magazine Unloader



Located at the final stage of SMT line, this unit stacks PCBs in an empty magazine rack using a pneumatic pusher one by one.



\*The protrusion length of the upper and lower conveyors for magazine rack loading/unloading varies depending on the equipment size.



\* Dimension: Based on pass line 950mm. Height may change depending on pass line.

SMT		SIZE	DIMENSION (mm)				WEIGHT (Kg)	
CODE No.	MODEL		L	W	H	H-1		
M-10C-YM1-0200	YMU-1M00	M	2090	2340	755	1700	2000	344
M-10C-YL1-0200	YMU-1L00	L	2290	2540	835	1700	2000	361
M-10C-YX1-0200	YMU-1X00	X	2350	2600	965	1700	2000	393

• When Jam detect function option is selected

## Standard Spec.

Item	Selectable Standard			Item	Standard		
	Left to Right	Right to Left			M	L	X
Line Flow	Left to Right	Right to Left		Magazine Size (L X W X H)(mm)	355 X 320 X 570	460 X 400 X 575	535 X 530 X 575
Fixed Rail	Front	Rear					
Pass Line (mm)	950±20	900±20					
Voltage & Frequency	220V±(10%) & 50 ~ 60Hz	110V±(10%) & 50 ~ 60Hz		Magazine Full Rack (kg)	20	30	50
PCB Size	M	L	X	Magazine Slot (ea)	50		
	70 X 50			Magazine A size	34mm		
	70 X 70 (When Jam detect function option is selected)			Magazine B size	34mm		
Min.PCB (L X W) (mm)				PCB Stacking	Bottom to Upper (1 to 50)		
Max.PCB (L X W) (mm)	330 X 250	440 X 330	460 X 460	Magazine Loading	Upper to Bottom		
				Pitch	1~6 (10~60mm)		
Item	Standard			Magazine Capacity (ea) *	Upper 2 / Lower 2		
				Jam Detect Function *	Pneumatic		
PCB Top/Bottom Clearance (mm) *	30 / 25			Safety Cover	Outer / Motor		
PCB Edge (mm)	3			Width Adjustment *	Manual		
PCB Loading Weight(kg)	3			Interface	SMEMA Communication		
Conveyor Belt	Flat edge belt			Smema Cable	3m / 1 ea		
Conveyor Speed(mm/sec) *	200			Alarm	Tower lamp (3 color)		
PCB Thickness (mm)	0.6 ~ 4.0			Color *	SR RAL 7035 : NON ESD		
PCB Color	Green			Air Supply	0.5Mpa (5bar)		
PCB In/Out Sensor	Single sensor			Air Usage	11.30 ℓ/min		
				Electricity Consumption	335W		

## Option Spec.

Item	CODE No.	Option
Conveyor Speed (mm/sec) *	O-100-HW0-0104	1~200 / Analog / 1ea
Width Adjustment *	O-100-HW0-0205	Auto / 1ea
Gas Spring Cover	O-100-HW0-0501	-
Double Sensors	O-100-HW0-0607	-
PCB Top/Bottom Clearance (mm) *	O-100-HW0-0900	60 / 60
	O-100-HW0-0901	100 / 100
High Speed Magazine Change	O-100-HW1-0100	Cycle time 26sec.
Jam Detect Function *	O-100-HW1-0202	-
Magazine Capacity (ea) *	O-100-HW1-0401	Upper 2 / Lower 3
	O-100-HW1-0402	Upper 3 / Lower 3
Width Synchronization	O-100-SW0-0200	via RS-485
Line Control	O-200-LC0-0100	Hermes
	O-200-LC0-0200	Smart kit (LAN communication PLC)
Color *	O-400-CO0-0100	ESD powder coating (RAL 7035 / Gray)

Line Control System for Smart Line / MES / Color-NON ESD ▶ Refer to P.114(Common Option Spec.).

\*\*High Speed Magazine Change Option Sequence : last board loading – lifter goes up – current magazine rack is out – lifter goes down – new magazine rack is loaded – ready to send the first board.

Loader/Unloader Series

Buffer Series

Conveyor Series

Traceability / Post-processing

Magazine Loader

Magazine Loader - All type(Bar)

Magazine Loader - All type(Chain)

Shuttle Loader

Shuttle Loader - AGV

Magazine Unloader

Magazine Unloader - All type(Bar)

Magazine Unloader - All type(Chain)

Shuttle Unloader

Shuttle Unloader - AGV

Vacuum Loader - Edge

Vacuum Loader - Magnet

Destacker - Knife

Destacker - Clamp

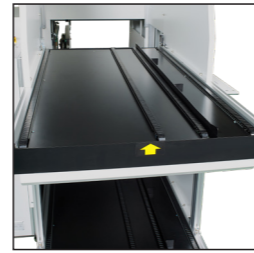
Destacker - Clamp (Batch)

Stacker

# Magazine Unloader - All type(Bar)

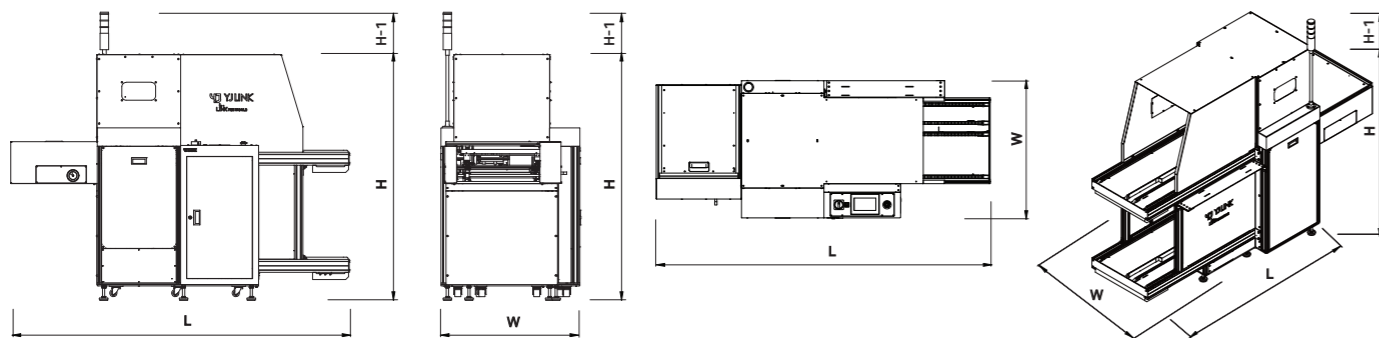


Located at the final stage of the SMT line, this unit stacks PCBs in an empty magazine rack using a pneumatic pusher one by one. The conveyor part and the inside of the lifter are designed to accommodate racks of various sizes.



Magazine Guide Holder

\*The protrusion length of the upper and lower conveyors for magazine rack loading/unloading varies depending on the equipment size.



\* Dimension: Based on pass line 950mm. Height may change depending on pass line.

SMT		SIZE	DIMENSION (mm)					WEIGHT (Kg)
CODE No.	MODEL		L	W	H	H-1		
M-10C-YX1-0201	YMU-1X10	X	2350	2600	965	1706	2000	398

When Jam detect function option is selected

## Standard Spec.

Item	Selectable Standard		Item	Standard
Line Flow	Left to Right	Right to Left	Magazine Size (L X W X H)(mm)	X 535 X 530 X 575
Fixed Rail	Front	Rear	Magazine Full Rack (kg)	50
Pass Line (mm)	950±20	900±20	Magazine Slot (ea)	50
Voltage & Frequency	220V±(10%) & 50 ~ 60Hz	110V±(10%) & 50 ~ 60Hz	Magazine A size	34mm
PCB Size	X		Magazine B size	34mm
Min.PCB (L X W) (mm)	70 X 50		PCB Stacking	Bottom to Upper (1 to 50)
	70 X 70 (When Jam detect function option is selected)		Magazine Loading	Upper to Bottom
Max.PCB (L X W) (mm)	460 X 460		Pitch	1~6 (10~60mm)
PCB Top/Bottom Clearance (mm) *	30 / 25		Magazine Capacity (ea) *	Upper 2 / Lower 2
	3		Jam Detect Function *	Pneumatic
PCB Edge (mm)	3		Safety Cover	Outer / Motor
PCB Loading Weight(kg)	3		Width Adjustment *	Manual
Conveyor Belt	Flat edge belt		Interface	SMEMA Communication
Conveyor Speed(mm/sec) *	200		Smema Cable	3m / 1 ea
PCB Thickness (mm)	0.6 ~ 4.0		Alarm	Tower lamp (3 color)
PCB Color	Green		Color *	SR RAL 7035 : NON ESD
PCB In/Out Sensor	Single sensor		Air Supply	0.5Mpa (5bar)
			Air Usage	11.30 ℓ/min
			Electricity Consumption	385W

## Option Spec.

Item	CODE No.	Option
Conveyor Speed (mm/sec) *	O-100-HW0-0104	1~200 / Analog / 1ea
Width Adjustment *	O-100-HW0-0205	Auto / 1ea
Gas Spring Cover	O-100-HW0-0501	-
Double Sensors	O-100-HW0-0607	-
PCB Top/Bottom Clearance (mm) *	O-100-HW0-0900	60 / 60
	O-100-HW0-0901	100 / 100
High Speed Magazine Change	O-100-HW1-0100	Cycle time 26sec.
Jam Detect Function *	O-100-HW1-0202	-
Magazine Capacity (ea) *	O-100-HW1-0401	Upper 2 / Lower 3
	O-100-HW1-0402	Upper 3 / Lower 3
Width Synchronization	O-100-SW0-0200	via RS-485
Line Control	O-200-LC0-0100	Hermes
	O-200-LC0-0200	Smart kit (LAN communication PLC)
Color *	O-400-CO0-0100	ESD powder coating (RAL 7035 / Gray)

Line Control System for Smart Line / MES / Color-NON ESD ▶ Refer to P.114(Common Option Spec.).

\*\*High Speed Magazine Change Option Sequence : last board loading – lifter goes up – current magazine rack is out – lifter goes down – new magazine rack is loaded – ready to send the first board.

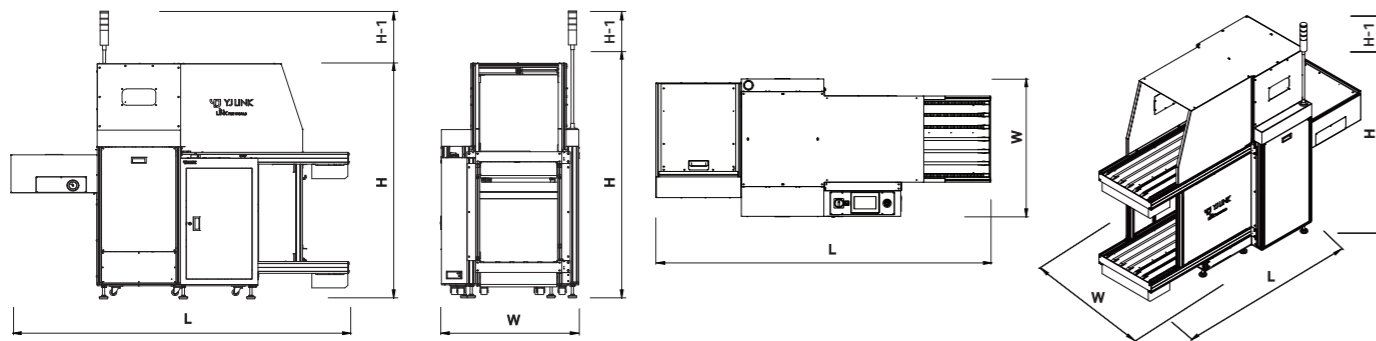
# Magazine Unloader - All type(Chain)



Located at the final stage of the SMT line, this unit stacks PCBs in an empty magazine rack using a pneumatic pusher one by one. The conveyor part and the inside of the lifter are designed to accommodate racks of various sizes.



\*The protrusion length of the upper and lower conveyors for magazine rack loading/unloading varies depending on the equipment size.



\* Dimension: Based on pass line 950mm. Height may change depending on pass line.

SMT		SIZE	DIMENSION (mm)					WEIGHT (Kg)
CODE No.	MODEL		L	W	H	H-1		
M-10C-YX1-0202	YMU-1X30	X	2350	2600	965	1800	2100	455

When Jam detect function option is selected

## Standard Spec.

Item	Selectable Standard		Item	Standard
Line Flow	Left to Right	Right to Left	Magazine Size (L X W X H)(mm)	X 535 X 530 X 575
Fixed Rail	Front	Rear	Magazine Full Rack (kg)	50
Pass Line (mm)	950±20	900±20	Magazine Slot (ea)	50
Voltage & Frequency	220V±(10%) & 50 ~ 60Hz	110V±(10%) & 50 ~ 60Hz	Magazine A size	34mm
PCB Size	X		Magazine B size	34mm
Min.PCB (L X W) (mm)	70 X 50		PCB Stacking	Bottom to Upper (1 to 50)
	70 X 70 (When Jam detect function option is selected)		Magazine Loading	Upper to Bottom
Max.PCB (L X W) (mm)	460 X 460		Pitch	1~6 (10~60mm)
Item	Standard		Magazine Capacity (ea) *	Upper 2 / Lower 2
	30 / 25		Jam Detect Function *	Pneumatic
PCB Top/Bottom Clearance (mm) *	3		Safety Cover	Outer / Motor
PCB Edge (mm)	3		Width Adjustment *	Manual
PCB Loading Weight(kg)	3		Interface	SMEMA Communication
Conveyor Belt	Flat edge belt		Smema Cable	3m / 1 ea
Conveyor Speed(mm/sec) *	200		Alarm	Tower lamp (3 color)
PCB Thickness (mm)	0.6 ~ 4.0		Color *	SR RAL 7035 : NON ESD
PCB Color	Green		Air Supply	0.5Mpa (5bar)
PCB In/Out Sensor	Single sensor		Air Usage	11.30 ℓ/min
			Electricity Consumption	385W

## Option Spec.

Item	CODE No.	Option
Conveyor Speed (mm/sec) *	O-100-HW0-0104	1~200 / Analog / 1ea
Width Adjustment *	O-100-HW0-0205	Auto / 1ea
Gas Spring Cover	O-100-HW0-0501	-
Double Sensors	O-100-HW0-0607	-
PCB Top/Bottom Clearance (mm) *	O-100-HW0-0900	60 / 60
	O-100-HW0-0901	100 / 100
High Speed Magazine Change	O-100-HW1-0100	Cycle time 26sec.
Jam Detect Function *	O-100-HW1-0202	-
Magazine Capacity (ea) *	O-100-HW1-0401	Upper 2 / Lower 3
	O-100-HW1-0402	Upper 3 / Lower 3
Width Synchronization	O-100-SW0-0200	via RS-485
Line Control	O-200-LC0-0100	Hermes
	O-200-LC0-0200	Smart kit (LAN communication PLC)
Color *	O-400-CO0-0100	ESD powder coating (RAL 7035 / Gray)

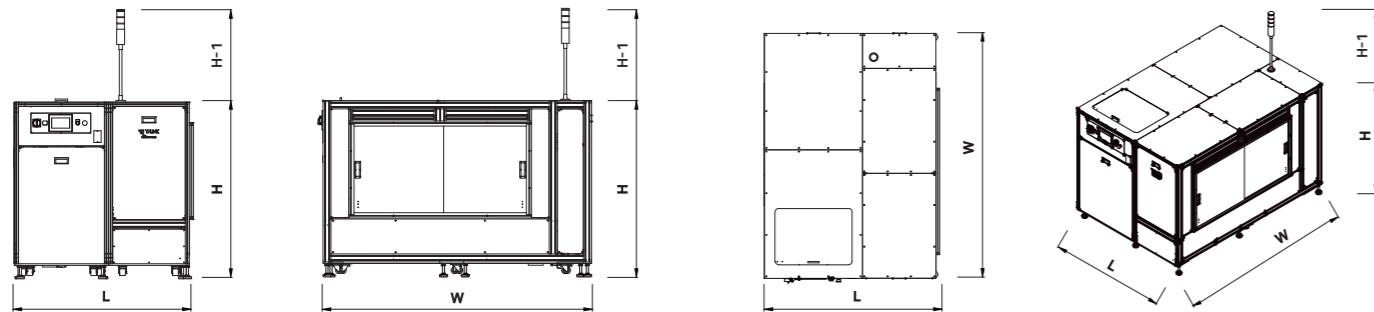
Line Control System for Smart Line / MES / Color-NON ESD ▶ Refer to P.114(Common Option Spec.).

\*\*High Speed Magazine Change Option Sequence : last board loading – lifter goes up – current magazine rack is out – lifter goes down – new magazine rack is loaded – ready to send the first board.

# Shuttle Unloader (2-racks / 3-racks)



Located at the final stage of SMT line, this unit consists of a coupling of a single shuttle and a rack part and stacks PCBs in an empty magazine rack using a pneumatic pusher mounted on the single shuttle one by one. The rack part is designed to accommodate racks of various sizes.



\* Dimension: Based on pass line 950mm. Height may change depending on pass line.

SMT		Magazine Capacity(ea)	SIZE	DIMENSION (mm)				WEIGHT (Kg)
CODE No.	MODEL			L	W	H	H-1	
M-10C-YM1-0403	YSU-1M00	2-racks	M	1230	1580	1314	2000	545
M-10C-YL1-0403	YSU-1L00	2-racks	L	1330	1740	1314	2000	620
M-10C-YX1-0403	YSU-1X00	2-racks	X	1430	2000	1314	2000	710
M-10C-YM1-0404	YSU-1M01	3-racks	M	1230	2065	1314	2000	705
M-10C-YL1-0404	YSU-1L01	3-racks	L	1330	2305	1314	2000	780
M-10C-YX1-0404	YSU-1X01	3-racks	X	1430	2695	1314	2000	870

## Standard Spec.

Item	Selectable Standard			Item	Standard
Line Flow	Left to Right	Right to Left		Magazine Slot (ea)	50
Fixed Rail	Front	Rear		Magazine A size	34mm
Pass Line (mm)	950±20	900±20		Magazine B size	34mm
Voltage & Frequency	220V±(10%) & 50 ~ 60Hz		110V±(10%) & 50 ~ 60Hz	PCB Loading	Upper to Bottom (50 to 1)
	M		L	X	Magazine Clamping
PCB Size	100 X 70			Magazine Size	All size
Min.PCB (L X W) (mm)	330 X 250			Pitch	1~6 (10~60mm)
Max.PCB (L X W) (mm)	440 X 330	460 X 460		Jam Detect Function *	Pneumatic
Item	Standard			Safety Items	Inside : Auto sliding door (non-contact safety door sensor) Outside : Manual sliding door (key type door sensor)
PCB Top/Bottom Clearance (mm) *	30 / 25				
PCB Edge (mm)	3			Width Adjustment *	Auto
PCB Loading Weight (kg)	3			Interface	SMEMA Communication
Conveyor Belt	Flat edge belt			Smema Cable	3m / 1 ea
Conveyor Speed(mm/sec) *	200			Alarm	Tower lamp (3 color)
PCB Thickness (mm)	0.6 ~ 4.0			Color *	SR RAL 7035 : NON ESD
PCB Color	Green			Air Supply	0.5Mpa (5bar)
PCB In/Out Sensor	Single sensor			Air Usage	4.0 ℓ/min
Magazine Size (L X W X H)(mm)	M	L	X	Electricity Consumption	720W
	355 X 320 X 570	460 X 400 X 575	535 X 530 X 575		

## Option Spec.

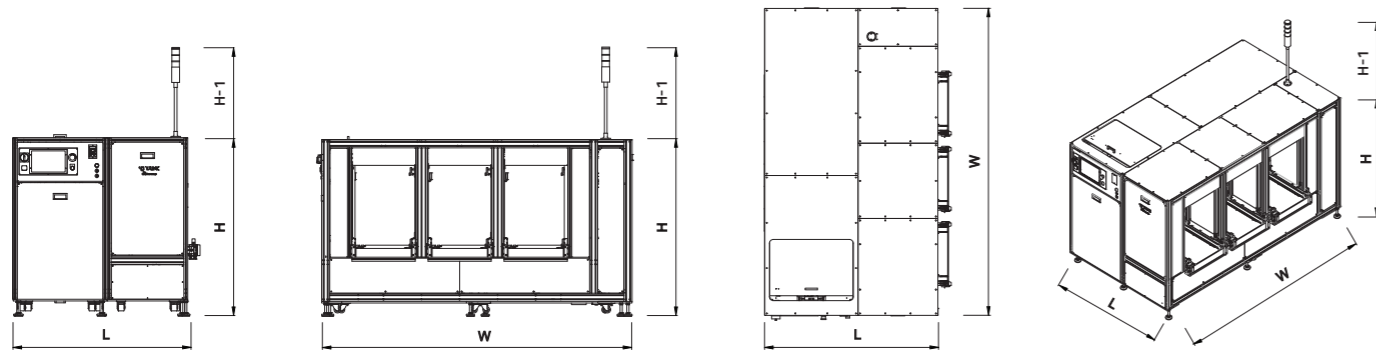
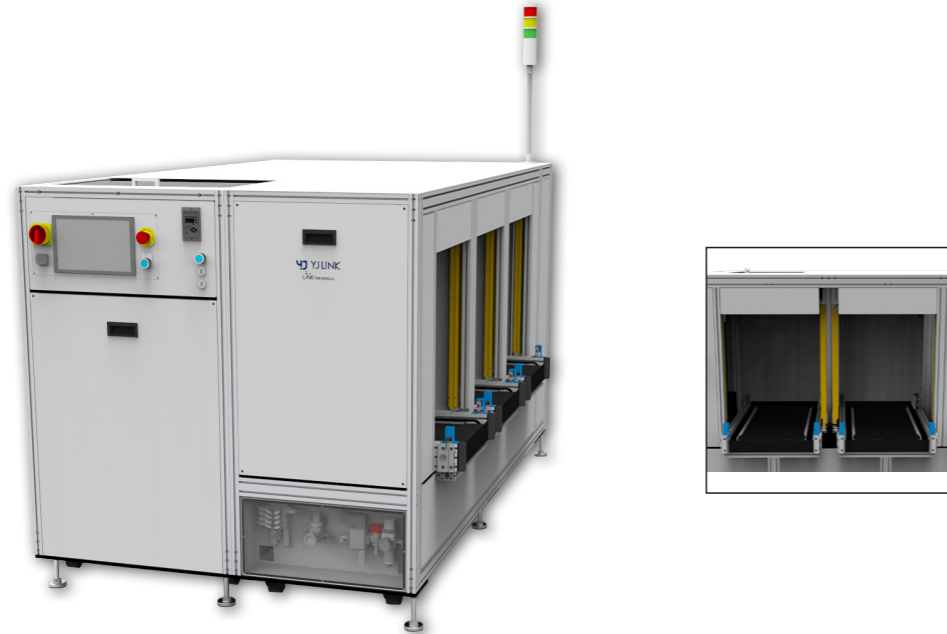
Item	CODE No.	Option
Conveyor Speed (mm/sec) *	O-100-HW0-0104	1~200 / Analog / 1ea
Double Sensors	O-100-HW0-0607	-
PCB Top/Bottom Clearance (mm) *	O-100-HW0-0900	60 / 60
	O-100-HW0-0901	100 / 100
Jam Detect Function *	O-100-HW1-0202	-
Magazine Width Adjustment	O-100-HW1-0500	-
When this option is selected, the voltage is changed to 220V.		
Magazine Stopper Release	O-100-HW1-0600	-
Magazine Slot Recognition	O-100-HW1-1000	-
Width Synchronization	O-100-SW0-0200	via RS-485
Line Control	O-200-LC0-0100	Hermes
	O-200-LC0-0200	Smart kit (LAN communication PLC)
Color *	O-400-CO0-0100	ESD powder coating (RAL 7035 / Gray)

Line Control System for Smart Line / MES / Color-NON ESD ▶ Refer to P.114(Common Option Spec.).

# Shuttle Unloader - AGV (2-racks / 3-racks)



Located at the final stage of SMT line, this unit consists of a coupling of a single shuttle and a rack part and stacks PCBs in an empty magazine rack using a pneumatic pusher mounted on the single shuttle one by one. The open rack part interlocks with AGV to supply magazine racks.



\*The image is based on 3-racks.

\* Dimension: Based on pass line 950mm. Height may change depending on pass line.

SMT		Magazine Capacity(ea)	SIZE	DIMENSION (mm)				WEIGHT (Kg)
CODE No.	MODEL			L	W	H	H-1	
M-10C-YM1-0603	YSU-1M10	2-racks	M	1300	1580	1314	2000	565
M-10C-YL1-0603	YSU-1L10	2-racks	L	1400	1740	1314	2000	640
M-10C-YX1-0603	YSU-1X10	2-racks	X	1550	2000	1314	2000	720
M-10C-YM1-0604	YSU-1M11	3-racks	M	1300	2065	1314	2000	695
M-10C-YL1-0604	YSU-1L11	3-racks	L	1400	2305	1314	2000	775
M-10C-YX1-0604	YSU-1X11	3-racks	X	1550	2695	1314	2000	860

## Standard Spec.

Item	Selectable Standard			Item	Standard
	Left to Right	Right to Left			
Line Flow	Left to Right	Right to Left		Magazine Slot (ea)	50
Fixed Rail	Front	Rear		Magazine A size	34mm
Pass Line (mm)	950±20	900±20		Magazine B size	34mm
Voltage & Frequency	220V±(10%) & 50 ~ 60Hz			PCB Loading	Upper to Bottom (50 to 1)
PCB Size	M	L	X	Magazine Clamping	Cylinder
Min.PCB (L X W) (mm)	100 X 70			Magazine Size	One kind
Max.PCB (L X W) (mm)	330 X 250	440 X 330	460 X 460	Pitch	1~6 (10~60mm)
Item	Standard			Item	Standard
PCB Top/Bottom Clearance (mm)	30 / 25				
PCB Edge (mm)	3			Safety Items	Inside : Auto sliding door (non-contact safety door sensor) Outside : Light curtain
PCB Loading Weight (kg)	3				
Conveyor Belt	Flat edge belt			Width Adjustment *	Auto
Conveyor Speed(mm/sec) *	200			Interface	SMEMA Communication
PCB Thickness (mm)	0.6 ~ 4.0			Smema Cable	3m / 1 ea
PCB Color	Green			Alarm	Tower lamp (3 color)
PCB In/Out Sensor	Single sensor			Color *	SR RAL 7035 : NON ESD
Magazine Size (L X W X H)(mm)	M	L	X	Air Supply	0.5Mpa (5bar)
	355 X 320 X 570	460 X 400 X 575	535 X 530 X 575	Air Usage	4.0 ℓ/min
				Electricity Consumption	720W

## Option Spec.

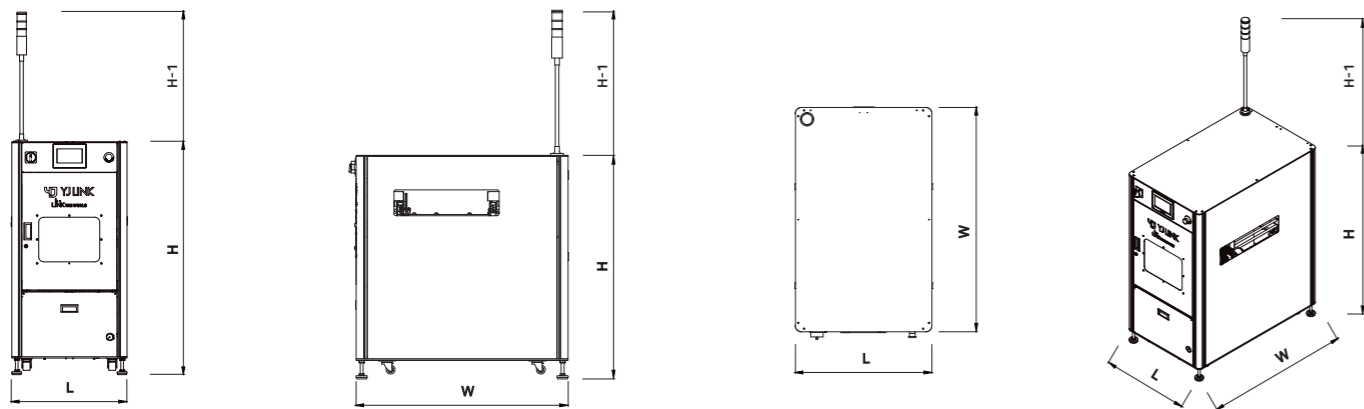
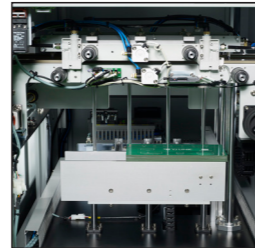
Item	CODE No.	Option
Conveyor Speed (mm/sec) *	O-100-HW0-0104	1~200 / Analog / 1ea
Double Sensors	O-100-HW0-0607	-
PCB Top/Bottom Clearance (mm) *	O-100-HW0-0900	60 / 60
	O-100-HW0-0901	100 / 100
Jam Detect Function *	O-100-HW1-0202	-
Magazine Width Adjustment	O-100-HW1-0500	-
Magazine Stopper Release	O-100-HW1-0600	-
Magazine Slot Recognition	O-100-HW1-1000	-
Width Synchronization	O-100-SW0-0200	via RS-485
Line Control	O-200-LC0-0100	Hermes
	O-200-LC0-0200	Smart kit (LAN communication PLC)
Color *	O-400-CO0-0100	ESD powder coating (RAL 7035 / Gray)

Line Control System for Smart Line / MES / Color-NON ESD ▶ Refer to P.114(Common Option Spec.).

# Vacuum Loader - Edge



Using "Edge vacuum pad", this unit unstacks bare boards one by one



\* Dimension: Based on pass line 950mm. Height may change depending on pass line.

SMT		SIZE	DIMENSION (mm)				WEIGHT (Kg)
CODE No.	MODEL		L	W	H	H-1	
M-10C-YM1-0700	YVL-1M00	M	600	940	1413	2000	285
M-10C-YX1-0700	YVL-1X00	X	700	1150	1413	2000	315

### Standard Spec.

Item	Selectable Standard		Item	Standard
	Left to Right	Right to Left		
Line Flow	Left to Right	Right to Left	Conveyor Belt	Flat edge belt
Fixed Rail	Front	Rear	Conveyor Speed(mm/sec) *	200
Pass Line (mm)	950±20	900±20	PCB Thickness (mm)	0.6 ~ 4.0
Voltage & Frequency	220V±(10%) & 50 ~ 60Hz	110V±(10%) & 50 ~ 60Hz	PCB Color	Green
			PCB In/Out Sensor	Single sensor
PCB Size	M	X	Mode	By pass / Bare board loading
Min.PCB (L X W) (mm)	70 X 50		Vacuum Pad	Auto Blocked
Max.PCB (L X W) (mm)	330 X 250	460 X 460	Width Adjustment *	Manual
Item	Standard		Item	Standard
PCB Top/Bottom Clearance (mm)	00 / 00		Interface	SMEMA Communication
	30 / 25 (By pass)		Smema Cable	3m / 1 ea
PCB Edge (mm)	3		Alarm	Tower lamp (3 color)
Vacuum Edge Clearance(mm)	6		Color *	SR RAL 7035 : NON ESD
			Air Supply	0.5Mpa (5bar)
PCB Loading Weight (kg)	2		Air Usage	7.0 ℓ/min
			Electricity Consumption	540W

### Option Spec.

Item	CODE No.	Option
Conveyor Speed (mm/sec) *	O-100-HW0-0104	1~200 / Analog / 2ea
Width Adjustment *	O-100-HW0-0205	Auto / 1ea
Double Sensors	O-100-HW0-0607	-
Width Synchronization	O-100-SW0-0200	via RS-485
Line Control	O-200-LC0-0100	Hermes
	O-200-LC0-0200	Smart kit (LAN communication PLC)
Color *	O-400-CO0-0100	ESD powder coating (RAL 7035 / Gray)

Line Control System for Smart Line / MES / Color-NON ESD ▶ Refer to P.114(Common Option Spec.).

Loader/Unloader Series

Buffer Series

Conveyor Series

Traceability / Post-processing

Magazine Loader

Magazine Loader - All type(Bar)

Magazine Loader - All type(Chain)

Shuttle Loader

Shuttle Loader - AGV

Magazine Unloader

Magazine Unloader - All type(Bar)

Magazine Unloader - All type(Chain)

Shuttle Unloader

Shuttle Unloader - AGV

Vacuum Loader - Edge

Vacuum Loader - Magnet

Destacker - Knife

Destacker - Clamp

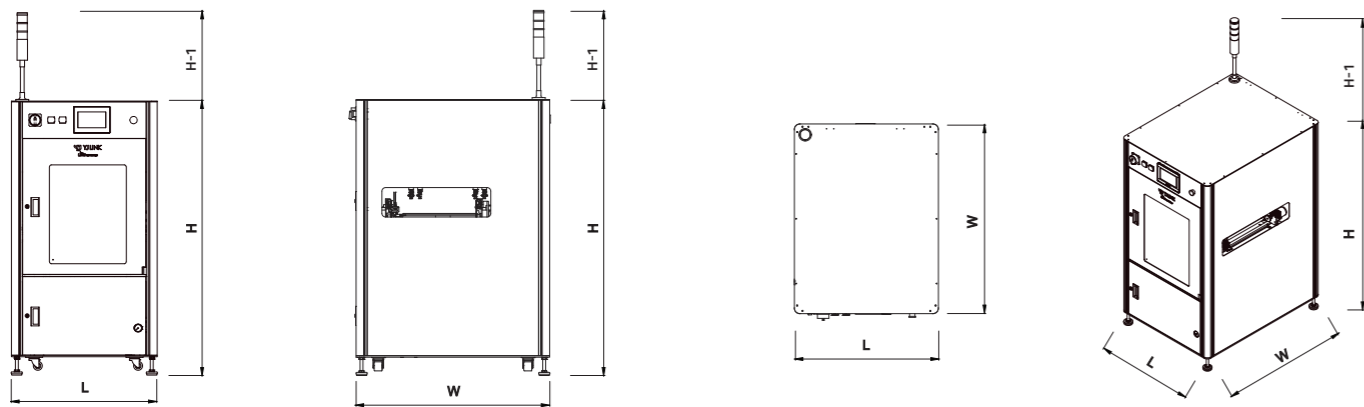
Destacker - Clamp (Batch)

Stacker

# Vacuum Loader - Magnet



Using "Magnet vacuum pad", this unit unstacks bare boards one by one



\* Dimension: Based on pass line 950mm. Height may change depending on pass line.

SMT		SIZE	DIMENSION (mm)				WEIGHT (Kg)
CODE No.	MODEL		L	W	H	H-1	
M-10C-YM1-0710	YVL-1M10	M	580	845	1503	2000	220
M-10C-YX1-0710	YVL-1X10	X	800	1053	1503	2000	260

### Standard Spec.

Item	Selectable Standard		Item	Standard
Line Flow	Left to Right	Right to Left	PCB Thickness (mm)	0.6 ~ 4.0
Fixed Rail	Front	Rear	PCB Color	Green
Pass Line (mm)	950±20	900±20	PCB In/Out Sensor	Single sensor
Voltage & Frequency	220V±(10%) & 50 ~ 60Hz	110V±(10%) & 50 ~ 60Hz	Mode	By pass / Bare board loading
PCB Size	M	X	Vacuum Pad	Manual Blocked
Min.PCB (L X W) (mm)	80 X 80		Vacuum Pad Size	φ 15
Max.PCB (L X W) (mm)	330 X 250	460 X 460	Vacuum Nozzle Quantity	6ea (M size)   10ea (X size)
Item	Standard		Width Adjustment *	Manual
PCB Top/Bottom Clearance (mm)	00 / 00		Interface	SMEMA Communication
	30 / 25 (By pass)		Smema Cable	3m / 1 ea
PCB Edge (mm)	3		Alarm	Tower lamp (3 color)
PCB Loading Weight (kg)	1 (M size)	2.5 (X size)	Color *	SR RAL 7035 : NON ESD
Conveyor Belt	Flat edge belt		Air Supply	0.5Mpa (5bar)
Conveyor Speed(mm/sec) *	200		Air Usage	6.0 ℓ/min
			Electricity Consumption	60W

### Option Spec.

Item	CODE No.	Option
Conveyor Speed (mm/sec) *	O-100-HW0-0104	1~200 / Analog / 2ea
Width Adjustment *	O-100-HW0-0205	Auto / 1ea
Double Sensors	O-100-HW0-0607	-
Width Synchronization	O-100-SW0-0200	via RS-485
Line Control	O-200-LC0-0100	Hermes
	O-200-LC0-0200	Smart kit (LAN communication PLC)
Color *	O-400-CO0-0100	ESD powder coating (RAL 7035 / Gray)

Line Control System for Smart Line / MES / Color-NON ESD ▶ Refer to P.114(Common Option Spec.).

Loader/Unloader Series

Buffer Series

Conveyor Series

Traceability / Post-processing

Magazine Loader

Magazine Loader - All type(Bar)

Magazine Loader - All type(Chain)

Shuttle Loader

Shuttle Loader - AGV

Magazine Unloader

Magazine Unloader - All type(Bar)

Magazine Unloader - All type(Chain)

Shuttle Unloader

Shuttle Unloader - AGV

Vacuum Loader - Edge

Vacuum Loader - Magnet

Destacker - Knife

Destacker - Clamp

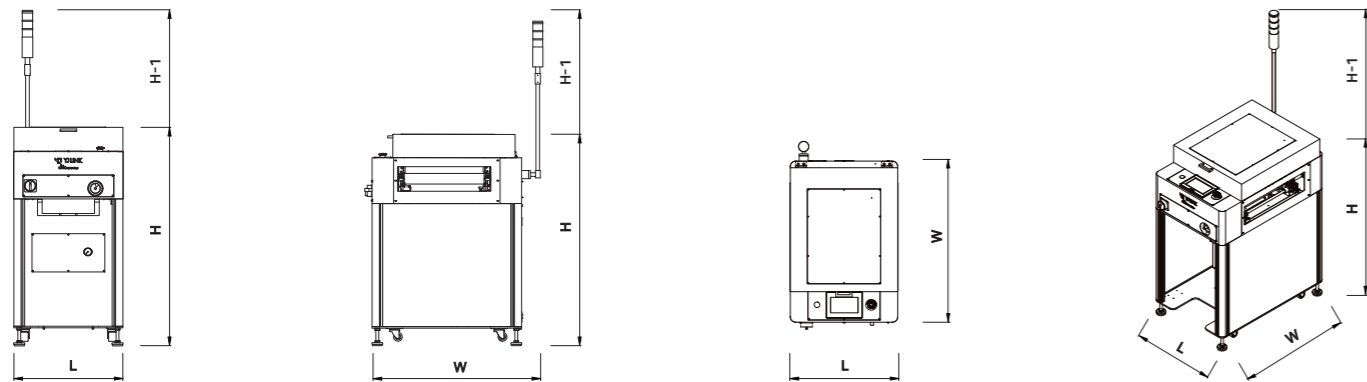
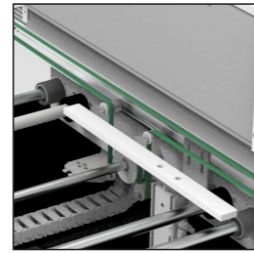
Destacker - Clamp (Batch)

Stacker

# Destacker - Knife



Using “Knife Cylinder”, this unit unstacks bare boards one by one



\* Dimension: Based on pass line 950mm. Height may change depending on pass line.

SMT		SIZE	DIMENSION (mm)				WEIGHT (Kg)
CODE No.	MODEL		L	W	H	H-1	
M-10C-YX1-0800	YDL-1X00	X	600	1020	1200	2000	193

### Standard Spec.

Item	Selectable Standard		Item	Standard
Line Flow	Left to Right	Right to Left	Conveyor Speed(mm/sec) *	200
Fixed Rail	Front	Rear	PCB Thickness (mm)	1.0 ~ 2.0
Pass Line (mm)	950±20	900±20	PCB Color	Green
Voltage & Frequency	220V±(10%) & 50 ~ 60Hz	110V±(10%) & 50 ~ 60Hz	PCB In/Out Sensor	Single sensor
	X		Mode	By pass / Bare board loading
PCB Size	X		Top Cover Type	Gas spring cover
Min.PCB (L X W) (mm)	70 X 70		Width Adjustment *	Manual
Max.PCB (L X W) (mm)	460 X 460		Interface	SMEMA Communication
Item	Standard		Smema Cable	3m / 1 ea
PCB Top/Bottom Clearance (mm)	00 / 00		Alarm	Tower lamp (3 color)
	30 / 25 (By pass)		Color *	SR RAL 7035 : NON ESD
PCB Edge (mm)	3		Air Supply	0.5Mpa (5bar)
PCB Loading Weight (kg)	3		Air Usage	0.74 ℓ/min
PCB Stacking Weight (kg)	20		Electricity Consumption	120W
Conveyor Belt	Flat edge belt			

### Option Spec.

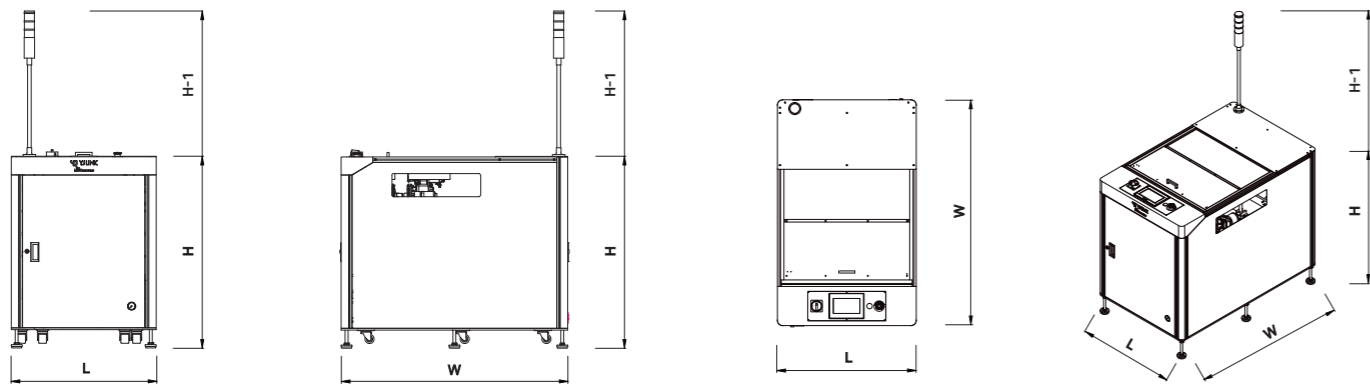
Item	CODE No.	Option
Conveyor Speed (mm/sec) *	O-100-HW0-0104	1~200 / Analog / 1ea
Width Adjustment *	O-100-HW0-0205	Auto / 1ea
Double Sensors	O-100-HW0-0607	-
Width Synchronization	O-100-SW0-0200	via RS-485
Line Control	O-200-LC0-0100	Hermes
	O-200-LC0-0200	Smart kit (LAN communication PLC)
Color *	O-400-CO0-0100	ESD powder coating (RAL 7035 / Gray)

Line Control System for Smart Line / MES / Color-NON ESD ▶ Refer to P.114(Common Option Spec.).

# Destacker - Clamp



Using "Side Clamp", this unit unstacks bare boards one by one



\* Dimension: Based on pass line 950mm. Height may change depending on pass line.

SMT		SIZE	DIMENSION (mm)				WEIGHT (Kg)
CODE No.	MODEL		L	W	H	H-1	
M-10C-YL1-0900	YDL-1L10	L	800	1200	1105	2000	360
M-10C-YX1-0900	YDL-1X10	X	800	1300	1105	2000	400

### Standard Spec.

Item	Selectable Standard		Item	Standard
Line Flow	Left to Right	Right to Left	Conveyor Speed(mm/sec) *	200
Fixed Rail	Front	Rear	PCB Thickness (mm)	1.0 ~ 2.0
Pass Line (mm)	950±20	900±20	PCB Color	Green
Voltage & Frequency	220V±(10%) & 50 ~ 60Hz	110V±(10%) & 50 ~ 60Hz	PCB In/Out Sensor	Single sensor
			Mode	By pass / Bare board loading
PCB Size	L	X	Top Cover Type	Sliding
Min.PCB (L X W) (mm)	70 X 70		Width Adjustment *	Auto
Max.PCB (L X W) (mm)	440 X 330	460 X 460	Interface	SMEMA Communication
Item	Standard		Smema Cable	3m / 1 ea
PCB Top/Bottom Clearance (mm)	00 / 00		Alarm	Tower lamp (3 color)
	30 / 25 (By pass)		Color *	SR RAL 7035 : NON ESD
PCB Edge (mm)	3		Air Supply	0.5Mpa (5bar)
PCB Loading Weight (kg)	3		Air Usage	10.0 ℓ/min
PCB Stacking Weight (kg)	50		Electricity Consumption	400W
Conveyor Belt	Flat edge belt			

### Option Spec.

Item	CODE No.	Option
Conveyor Speed (mm/sec) *	O-100-HW0-0104	1~200 / Analog / 2ea
Gas Spring Cover	O-100-HW0-0501	-
Double Sensors	O-100-HW0-0607	-
Vacuum Unit	O-100-HW4-0300	-
Width Synchronization	O-100-SW0-0200	via RS-485
Line Control	O-200-LC0-0100	Hermes
	O-200-LC0-0200	Smart kit (LAN communication PLC)
Color *	O-400-CO0-0100	ESD powder coating (RAL 7035 / Gray)

Line Control System for Smart Line / MES / Color-NON ESD ▶ Refer to P.114(Common Option Spec.).

Loader/Unloader Series

Buffer Series

Conveyor Series

Traceability / Post-processing

Magazine Loader

Magazine Loader - All type(Bar)

Magazine Loader - All type(Chain)

Shuttle Loader

Shuttle Loader - AGV

Magazine Unloader

Magazine Unloader - All type(Bar)

Magazine Unloader - All type(Chain)

Shuttle Unloader

Shuttle Unloader - AGV

Destacker - Knife

Destacker - Clamp

Destacker - Clamp (Batch)

Vacuum Loader - Edge

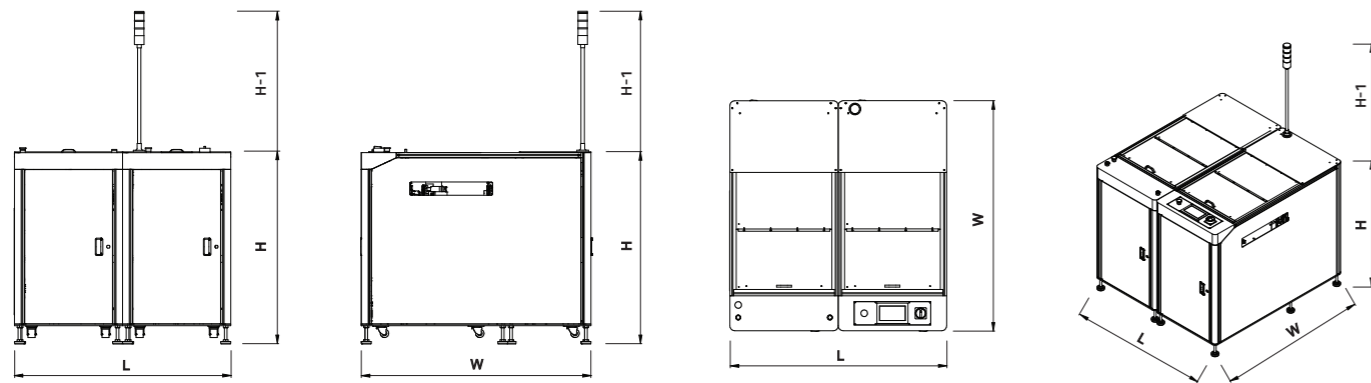
Vacuum Loader - Magnet

Stacker

# Destacker - Clamp(Batch)



With the buffer station designed to accommodate more PCB batches, operators may utilize time more efficiently.



\* Dimension: Based on pass line 950mm. Height may change depending on pass line.

SMT		SIZE	DIMENSION (mm)				WEIGHT (Kg)
CODE No.	MODEL		L	W	H	H-1	
M-10C-YL1-0901	YDL-1L11	L	1200	1250	1145	2000	440
M-10C-YX1-0901	YDL-1X11	X	1300	1380	1145	2000	490

### Standard Spec.

Item	Selectable Standard		Item	Standard
	Left to Right	Right to Left		
Line Flow	Left to Right	Right to Left	Conveyor Belt	Flat edge belt
Fixed Rail	Front	Rear	Conveyor Speed(mm/sec) *	200
Pass Line (mm)	950±20	900±20	PCB Thickness (mm)	1.0 ~ 2.0
Voltage & Frequency	220V±(10%) & 50 ~ 60Hz	110V±(10%) & 50 ~ 60Hz	PCB Color	Green
	PCB Size	L	X	PCB In/Out Sensor
Min.PCB (L X W) (mm)	70 X 70		Mode	By pass / Bare board loading
Max.PCB (L X W) (mm)	440 X 330	460 X 460	Top Cover Type	Sliding
Item	Standard		Width Adjustment *	Auto
PCB Top/Bottom Clearance (mm)	00 / 00		Interface	SMEMA Communication
	30 / 25 (By pass)		Smema Cable	3m / 1 ea
PCB Edge (mm)	3		Alarm	Tower lamp (3 color)
PCB Loading Weight (kg)	3		Color *	SR RAL 7035 : NON ESD
PCB Stacking Weight (kg)	Batch	21	Air Supply	0.5Mpa (5bar)
	Destacker	50	Air Usage	10.0 ℓ/min
Batch Slot (ea)	7		Electricity Consumption	510W

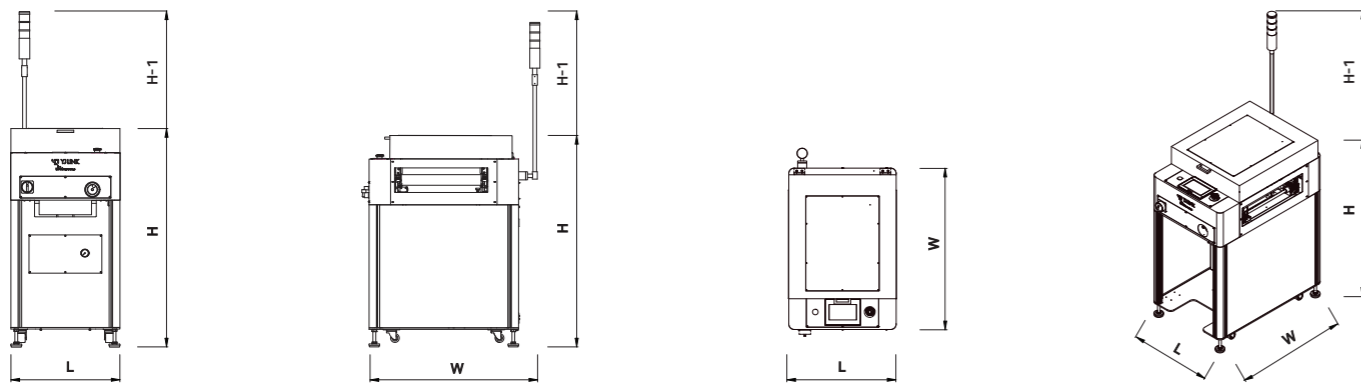
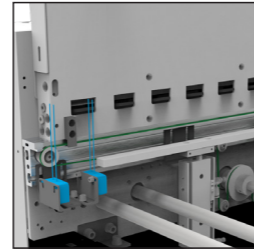
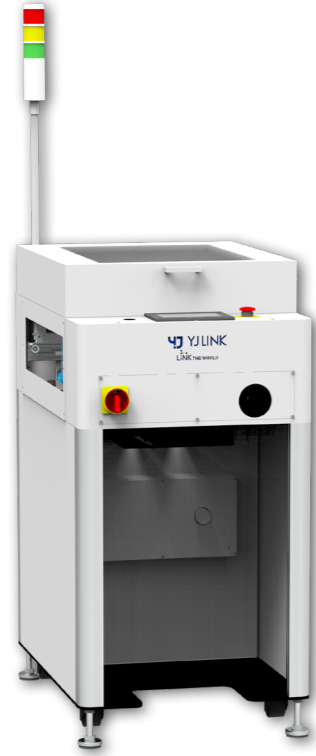
### Option Spec.

Item	CODE No.	Option	
		Batch	Destacker
Conveyor Speed (mm/sec) *	O-100-HW0-0104	1~200 / Analog / 2ea	1~200 / Analog / 2ea
Gas Spring Cover	O-100-HW0-0501	2ea	
Double Sensors	O-100-HW0-0607	-	
Vacuum Unit	O-100-HW4-0300	-	
Width Synchronization	O-100-SW0-0200	via RS-485	
Line Control	O-200-LC0-0100	Hermes	
	O-200-LC0-0200	Smart kit (LAN communication PLC)	
Color *	O-400-C00-0100	ESD powder coating (RAL 7035 / Gray)	

Line Control System for Smart Line / MES / Color-NON ESD ▶ Refer to P.114(Common Option Spec.).



Using cylinder, it lifts up a bare board for stacking up as an unloader of offline laser marking machine.



\* Dimension: Based on pass line 950mm. Height may change depending on pass line.

SMT		SIZE	DIMENSION (mm)				WEIGHT (Kg)
CODE No.	MODEL		L	W	H	H-1	
M-10C-YX1-1000	YPU-1X00	X	600	1020	1200	2000	176

Standard Spec.

Item	Selectable Standard		Item	Standard	
	Left to Right	Right to Left			
Line Flow	Left to Right	Right to Left	Conveyor Speed(mm/sec) *	200	
Fixed Rail	Front	Rear	PCB Thickness (mm)	0.6 ~ 4.0	
Pass Line (mm)	950±20	900±20	PCB Color	Green	
Voltage & Frequency	220V±(10%) & 50 ~ 60Hz	110V±(10%) & 50 ~ 60Hz	PCB In/Out Sensor	Single sensor	
	X		Mode	Bare board stacking	
PCB Size	X		Top Cover Type	Gas spring cover	
Min.PCB (L X W) (mm)	70 X 70		Width Adjustment *	Manual	
Max.PCB (L X W) (mm)	460 X 460		Interface	SMEMA Communication	
Item	Standard				
PCB Top/Bottom Clearance (mm)	00 / 00			Smema Cable	3m / 1 ea
PCB Edge (mm)	3			Alarm	Tower lamp (3 color)
PCB Loading Weight (kg)	3			Color *	SR RAL 7035 : NON ESD
PCB Stacking Weight (kg)	20			Air Supply	0.5Mpa (5bar)
Conveyor Belt	Flat edge belt			Air Usage	0.74 ℓ/min
				Electricity Consumption	120W

Option Spec.

Item	CODE No.	Option
Conveyor Speed (mm/sec) *	O-100-HW0-0104	1~200 / Analog / 1ea
Width Adjustment *	O-100-HW0-0205	Auto / 1ea
Double Sensors	O-100-HW0-0607	-
Width Synchronization	O-100-SW0-0200	via RS-485
Line Control	O-200-LC0-0100	Hermes
	O-200-LC0-0200	Smart kit (LAN communication PLC)
Color *	O-400-CO0-0100	ESD powder coating (RAL 7035 / Gray)

Line Control System for Smart Line / MES / Color-NON ESD ▶ Refer to P.114(Common Option Spec.).

# BUFFER SERIES

Tower	.....	P. 44
Tower - Cooling	.....	P. 46
Tower + NG Conveyor	.....	P. 48
Tower + Conveyor - Cooling	.....	P. 50
Magazine Buffer	.....	P. 52
Combi - Magazine	.....	P. 54
Combi - Rack	.....	P. 56



P. 44

➤ Tower



P. 46

➤ Tower - Cooling



P. 48

➤ Tower + NG Conveyor



P. 50

➤ Tower + Conveyor - Cooling



P. 52

➤ Magazine Buffer



P. 54

➤ Combi - Magazine

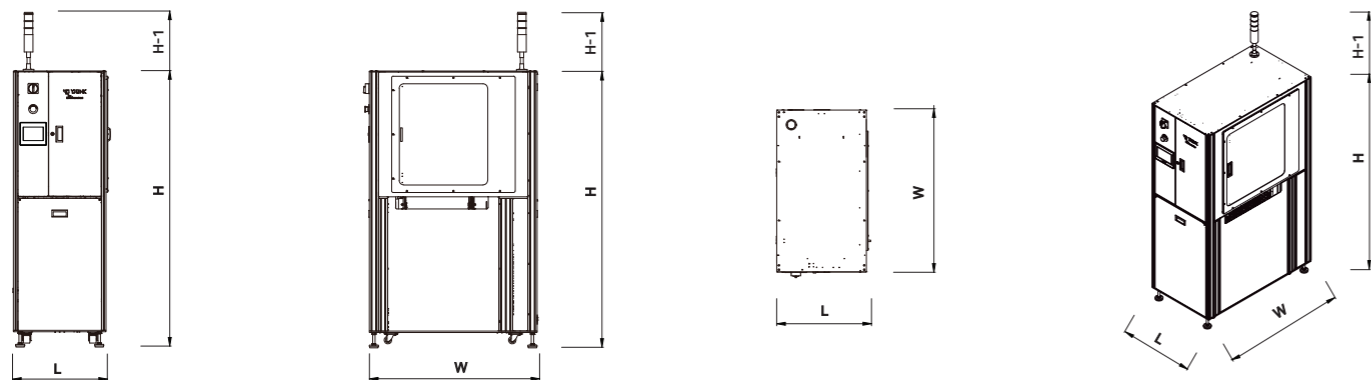


P. 56

➤ Combi - Rack



This unit is located between SMT machines to improve working efficiency by buffering.



\* Dimension: Based on pass line 950mm. Height may change depending on pass line.

SMT		POST-PROCESS		SLOT OF RACK	SIZE	DIMENSION (mm)				WEIGHT (Kg)
CODE No.	MODEL	CODE No.	MODEL			L	W	H	H-1	
M-10C-YM2-0101	YTR-1M01			20 slots	M	481	880	1815	2200	181
M-10C-YX2-0101	YTR-1X01			20 slots	X	621	1100	1815	2200	229
		M-50C-YM2-0100	YTR-6M00	10 slots	M	481	880	1815	2200	181
		M-50C-YX2-0100	YTR-6X00	10 slots	X	621	1100	1815	2200	229

Standard Spec.

Item	Selectable Standard		Item	Standard
	Left to Right	Right to Left		
Line Flow	Left to Right	Right to Left	PCB Thickness (mm)	0.6 ~ 4.0
Fixed Rail	Front	Rear	PCB Color	Green
Pass Line (mm)	950±20	900±20	PCB In/Out Sensor	Single sensor
Voltage & Frequency	220V±(10%) & 50 ~ 60Hz	110V±(10%) & 50 ~ 60Hz	Mode	FIFO, LIFO / By pass
			Width Adjustment *	Manual
PCB Size	M	X	Interface	SMEMA Communication
Min.PCB (L X W) (mm)	70 X 50		Smema Cable	3m / 1 ea
Max.PCB (L X W) (mm)	330 X 250	460 X 460	Alarm	Tower lamp (3 color)
Item	Standard		Item	Standard
	SMT	POST-PROCESS		
PCB Top/Bottom Clearance (mm) *	30 / 25	35 / 35	Color *	SR RAL 7035 : NON ESD
PCB Edge (mm)	3	5	Electricity Consumption	245W
PCB Loading Weight(kg)	3	8		
PCB Stacking Weight (kg)	50			
Slot of Rack (ea)	Pass Line 950±20	20 (±15mm)	10 (±35mm)	
	Pass Line 900±20		9 (±35mm)	
Pitch	1~4 (30~120mm)	1~4 (70~280mm)		
Conveyor Belt	Flat edge belt	Pin chain		
Conveyor Speed(mm/sec) *	200	100		

\*The number of slots may vary depending on the pass line.

Option Spec.

Item	CODE No.	Option
Conveyor Speed (mm/sec) *	O-100-HW0-0104	1~200 / Analog / 1ea
Width Adjustment *	O-100-HW0-0205	Auto / 1ea
Double Sensors	O-100-HW0-0607	-
PCB Top/Bottom Clearance (mm) *	O-100-HW0-0900	60 / 60
	O-100-HW0-0901	100 / 100
Intelligent Function	O-100-SW0-0100	-
Width Synchronization	O-100-SW0-0200	via RS-485
Line Control	O-200-LC0-0100	Hermes
	O-200-LC0-0200	Smart kit (LAN communication PLC)
Color *	O-400-CO0-0100	ESD powder coating (RAL 7035 / Gray)
30 Slots	M Size (YTR-1M02)	- Slot of Rack : 30 (±10mm) - Pitch : 1~4 (20~80mm)
	X Size (YTR-1X02)	

Line Control System for Smart Line / MES / Color-NON ESD ▶ Refer to P.114(Common Option Spec.).

Loader/Unloader Series

Buffer Series

Conveyor Series

Traceability / Post-processing

Tower

Tower - Cooling

Tower + NG Conveyor

Tower + Conveyor - Cooling

Magazine Buffer

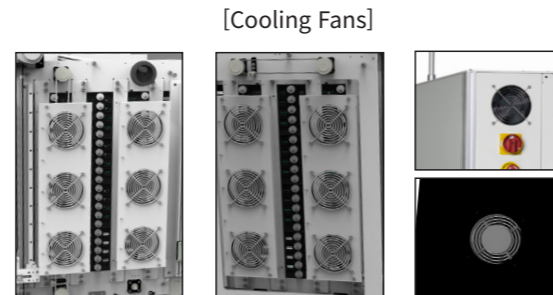
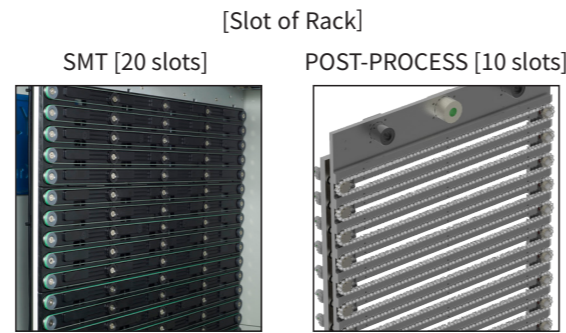
Combi - Magazine

Combi - Rack

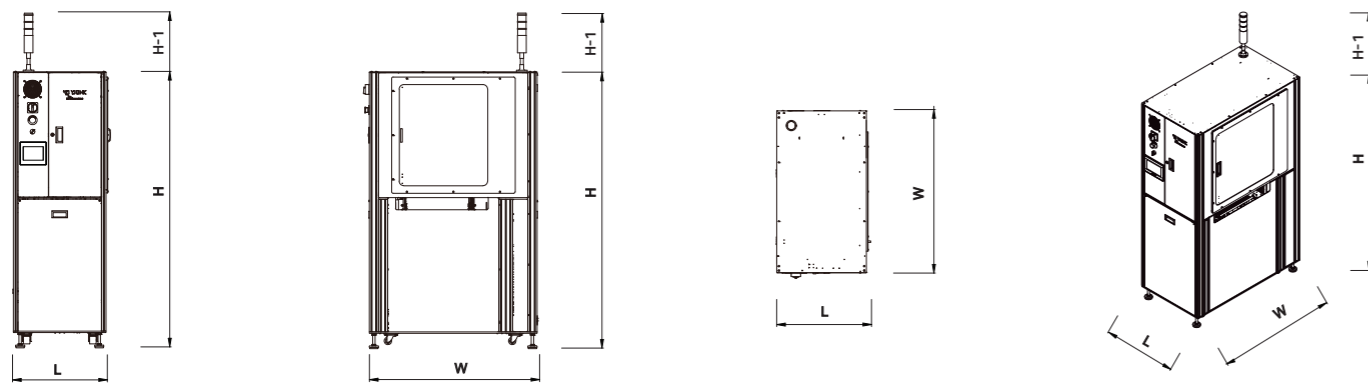
# Tower - Cooling



This unit is located after oven to be down the temperature of PCB and buffering.



The internal circulation structure with cooling fans allows for fast heat exchange (12ea at Front & Rear, Ventilation 2ea)



\* Dimension: Based on pass line 950mm. Height may change depending on pass line.

SMT		POST-PROCESS		SLOT OF RACK	SIZE	DIMENSION (mm)				WEIGHT (Kg)
CODE No.	MODEL	CODE No.	MODEL			L	W	H	H-1	
M-10C-YM2-0201	YTR-1M11			20 slots	M	481	880	1815	2200	187
M-10C-YX2-0201	YTR-1X11			20 slots	X	621	1100	1815	2200	235
		M-50C-YM2-0200	YTR-6M10	10 slots	M	481	880	1815	2200	187
		M-50C-YX2-0200	YTR-6X10	10 slots	X	621	1100	1815	2200	235

## Standard Spec.

Item	Selectable Standard		Item	Standard
	Left to Right	Right to Left		
Line Flow	Left to Right	Right to Left	PCB Thickness (mm)	0.6 ~ 4.0
Fixed Rail	Front	Rear	PCB Color	Green
Pass Line (mm)	950±20	900±20	PCB In/Out Sensor	Single sensor
Voltage & Frequency	220V±(10%) & 50 ~ 60Hz	110V±(10%) & 50 ~ 60Hz	120pi Cooling Fans	12ea at Front & Rear, Ventilation 2ea
PCB Size	M	X	Mode	FIFO, LIFO / By pass
Min.PCB (L X W) (mm)	70 X 50		Width Adjustment *	Manual
Max.PCB (L X W) (mm)	330 X 250	460 X 460	Interface	SMEMA Communication
Item	Standard		Item	Standard
	SMT	POST-PROCESS		
PCB Top/Bottom Clearance (mm) *	30 / 25	35 / 35	Smema Cable	3m / 1 ea
PCB Edge (mm)	3	5	Alarm	Tower lamp (3 color)
PCB Loading Weight (kg)	3	8	Color *	SR RAL 7035 : NON ESD
PCB Stacking Weight (kg)	50		Electricity Consumption	310W
Slot of Rack (ea)	Pass Line 950±20	10 (±35mm)		
	Pass Line 900±20	9 (±35mm)		
Pitch	1~4 (30~120mm)	1~4 (70~280mm)		
Conveyor Belt	Flat edge belt	Pin chain		
Conveyor Speed(mm/sec) *	200	100		

\*The number of slots may vary depending on the pass line.

## Option Spec.

Item	CODE No.	Option
Conveyor Speed (mm/sec) *	SMT	O-100-HW0-0104
	POST- PROCESS	
Width Adjustment *	O-100-HW0-0205	1~200 / Analog / 1ea
Double Sensors	O-100-HW0-0607	1~100 / Analog / 1ea
PCB Top/Bottom Clearance (mm) *	O-100-HW0-0900	Auto / 1ea
	O-100-HW0-0901	-
Intelligent Function	O-100-SW0-0100	60 / 60
Width Synchronization	O-100-SW0-0200	100 / 100
Line Control	O-200-LC0-0100	via RS-485
	O-200-LC0-0200	Hermes
Color *	O-400-CO0-0100	Smart kit (LAN communication PLC)
		ESD powder coating (RAL 7035 / Gray)
30 Slots	M Size (YTR-1M12)	- Slot of Rack : 30 (±10mm) - Pitch : 1~4 (20~80mm)
	X Size (YTR-1X12)	

Line Control System for Smart Line / MES / Color-NON ESD ▶ Refer to P.114(Common Option Spec.).

Loader/Unloader Series

Buffer Series

Conveyor Series

Traceability / Post-processing

Tower

Tower - Cooling

Tower

+ NG Conveyor

Tower

+ Conveyor-Cooling

Magazine Buffer

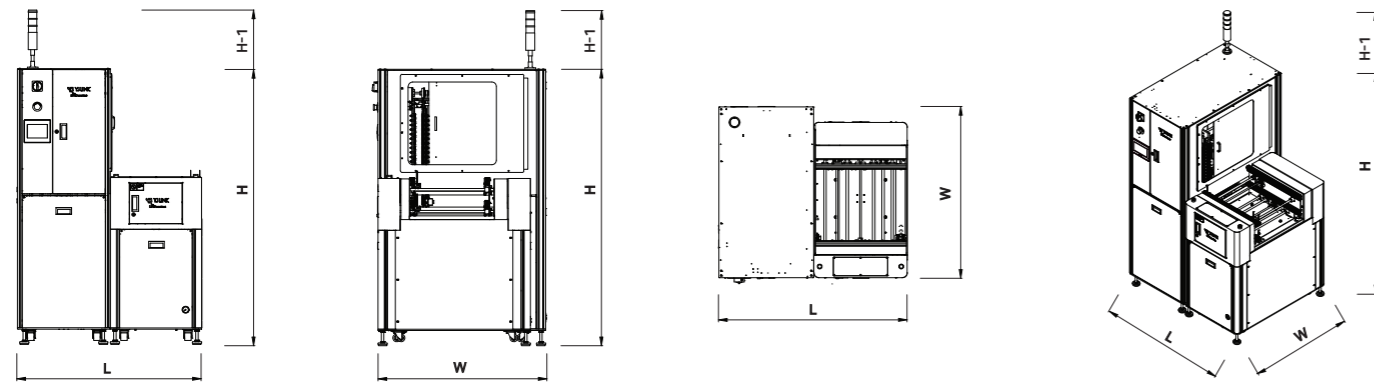
Combi - Magazine

Combi - Rack

# Tower + NG Conveyor



This unit is located after SPI/AOI Machine to inspect NG boards in the line. The operator can CALL NG boards in the rack onto the 2nd layer of the conveyor part to inspect them visually while the GOOD boards are being passed through to the next machine without any interruptions.



\* Dimension: Based on pass line 950mm. Height may change depending on pass line.

SMT		SIZE	DIMENSION (mm)				WEIGHT (Kg)
CODE No.	MODEL		L	W	H	H-1	
M-10C-YM2-0301	YTN-1M01	M	970	926	1815	2200	315
M-10C-YX2-0301	YTN-1X01	X	1210	1146	1815	2200	396

## Standard Spec.

Item	Selectable Standard		Item	Standard
	Left to Right	Right to Left		
Line Flow	Left to Right	Right to Left	PCB Thickness (mm)	0.6 ~ 4.0
Fixed Rail	Front	Rear	PCB Color	Green
Pass Line (mm)	950±20	900±20	PCB In/Out Sensor	Single sensor
Voltage & Frequency	220V±(10%) & 50 ~ 60Hz	110V±(10%) & 50 ~ 60Hz	Mode	FIFO, LIFO / By pass / NG Stacking
PCB Size	M	X	Width Adjustment *	Manual
Min.PCB (L X W) (mm)	70 X 50		Interface	SMEMA Communication
Max.PCB (L X W) (mm)	330 X 250	460 X 460	Smema Cable	3m / 1 ea
Item	Standard		Alarm	Tower lamp (3 color)
	SMT	POST-PROCESS	Color *	SR RAL 7035 : NON ESD
PCB Top/Bottom Clearance (mm) *	30 / 25	35 / 35	Air Supply	0.5Mpa (5bar)
PCB Edge (mm)	3	5	Air Usage	11.3 ℓ/min
PCB Loading Weight (kg)	3	8	Electricity Consumption	375W
PCB Stacking Weight (kg)	50			
Slot of Rack (ea)	Pass Line 950±20	10 (±35mm)		
	Pass Line 900±20	9 (±35mm)		
Pitch	1~4 (30~120mm)	1~4 (70~280mm)		
Conveyor Belt	Flat edge belt	Pin chain		
Conveyor Speed(mm/sec) *	200	100		

\*The number of slots may vary depending on the pass line.

## Option Spec.

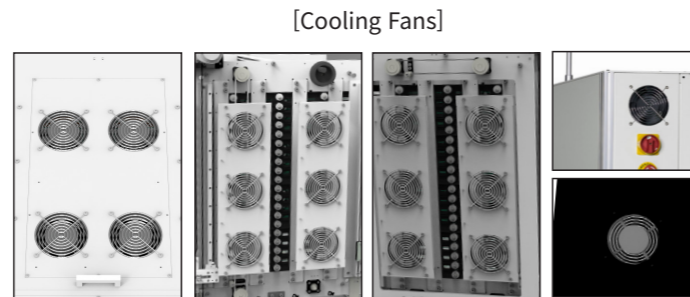
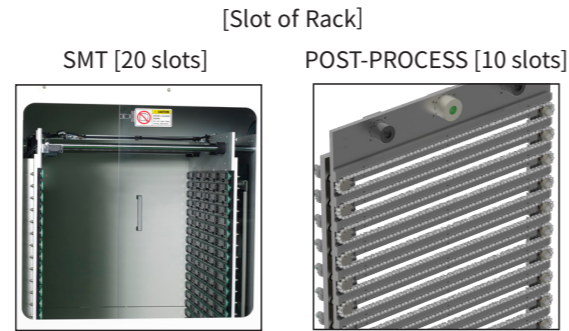
Item	CODE No.	Option	
		Rack Part	Conveyor Part
Conveyor Speed (mm/sec) *	O-100-HW0-0104	1~200 / Analog / 1ea	1~200 / Analog / 2ea
		Auto / 1ea	Auto / 1ea
Width Adjustment *	O-100-HW0-0205	Auto / 1ea	Auto / 1ea
		-	-
Gas Spring Cover	O-100-HW0-0501	-	-
Double Sensors	O-100-HW0-0607	-	-
PCB Top/Bottom Clearance (mm) *	O-100-HW0-0900	60 / 60	100 / 100
		-	-
Monitor & Keyboard Bracket	O-100-HW2-0200	All in one type	Separated type
		-	-
Width Synchronization	O-100-SW0-0200	via RS-485	via RS-232
NG Communication	O-100-SW0-0300	via RS-232	-
Line Control	O-200-LC0-0100	Hermes	Smart kit (LAN communication PLC)
		-	-
Color *	O-400-CO0-0100	ESD powder coating (RAL 7035 / Gray)	-

Line Control System for Smart Line / MES / Color-NON ESD ▶ Refer to P.114(Common Option Spec.).

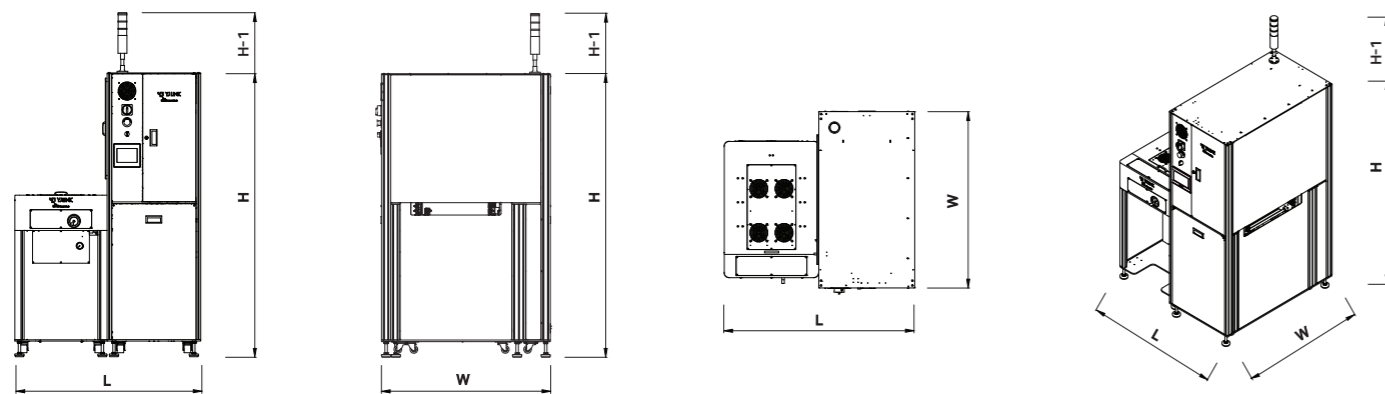
# Tower + Conveyor - Cooling



This unit is located after oven to be down the temperature of PCB and buffering.



The internal circulation structure with cooling fans allows for fast heat exchange  
(Conveyor Part - 4ea / Rack Part - 12ea at Front & Rear, Ventilation 2ea)



\* Dimension: Based on pass line 950mm. Height may change depending on pass line.

SMT		POST-PROCESS		SLOT OF RACK	SIZE	DIMENSION (mm)				WEIGHT (Kg)
CODE No.	MODEL	CODE No.	MODEL			L	W	H	H-1	
M-10C-YM2-0401	YTC-1M01			20 slots	M	970	880	1815	2200	348
M-10C-YX2-0401	YTC-1X01			20 slots	X	1210	1100	1815	2200	416
		M-50C-YM2-0400	YTC-6M00	10 slots	M	970	880	1815	2200	348
		M-50C-YX2-0400	YTC-6X00	10 slots	X	1210	1100	1815	2200	416

Standard Spec.				
Item	Selectable Standard		Item	Standard
Line Flow	Left to Right	Right to Left	PCB Thickness (mm)	0.6 ~ 4.0
Fixed Rail	Front	Rear	PCB Color	Green
Pass Line (mm)	950±20	900±20	PCB In/Out Sensor	Single sensor
Voltage & Frequency	220V±(10%) & 50 ~ 60Hz	110V±(10%) & 50 ~ 60Hz	120pi Cooling Fans	Conveyor Part - 4ea, Rack Part - 12ea at Front & Rear, Ventilation 2ea
PCB Size	M	X	Mode	FIFO, LIFO / By pass
Min.PCB (L X W) (mm)	70 X 50		Width Adjustment *	Manual
Max.PCB (L X W) (mm)	330 X 250	460 X 460	Interface	SMEMA Communication
Item	Standard		Smema Cable	3m / 1 ea
	SMT	POST-PROCESS	Alarm	Tower lamp (3 color)
PCB Top/Bottom Clearance (mm) *	30 / 25	35 / 35	Color *	SR RAL 7035 : NON ESD
PCB Edge (mm)	3	5	Electricity Consumption	343W
PCB Loading Weight (kg)	3	8		
PCB Stacking Weight (kg)	50			
Slot of Rack (ea)	Pass Line 950±20	10 (±35mm)		
	Pass Line 900±20	9 (±35mm)		
Pitch	1~4 (30~120mm)	1~4 (70~280mm)		
Conveyor Belt	Flat edge belt	Pin chain		
Conveyor Speed(mm/sec) *	200	100		

\*The number of slots may vary depending on the pass line.

Option Spec.			
Item	CODE No.	Option	
Conveyor Speed (mm/sec) *	O-100-HW0-0104	Rack Part	1~200 / Analog / 1ea
		Conveyor Part	1~200 / Analog / 1ea
Width Adjustment *	O-100-HW0-0205	Rack Part	1~100 / Analog / 1ea
		Conveyor Part	1~100 / Analog / 1ea
Gas Spring Cover	O-100-HW0-0501		-
Double Sensors	O-100-HW0-0607		-
PCB Top/Bottom Clearance (mm) *	O-100-HW0-0900		60 / 60
	O-100-HW0-0901		100 / 100
Intelligent Function	O-100-SW0-0100		-
Width Synchronization	O-100-SW0-0200		via RS-485
Line Control	O-200-LC0-0100		Hermes
	O-200-LC0-0200		Smart kit (LAN communication PLC)
Color *	O-400-CO0-0100		ESD powder coating (RAL 7035 / Gray)
			- Slot of Rack : 30 (±10mm) - Pitch : 1~4 (20~80mm)
30 Slots	M Size (YTC-1M02)	M-10C-YM2-0402	
	X Size (YTC-1X02)	M-10C-YX2-0402	
Line Control System for Smart Line / MES / Color-NON ESD ▶ Refer to P.114(Common Option Spec.).			

Loader/Unloader Series

Buffer Series

Conveyor Series

Traceability / Post-processing

Tower

Tower - Cooling

Tower + NG Conveyor

Tower + Conveyor - Cooling

Magazine Buffer

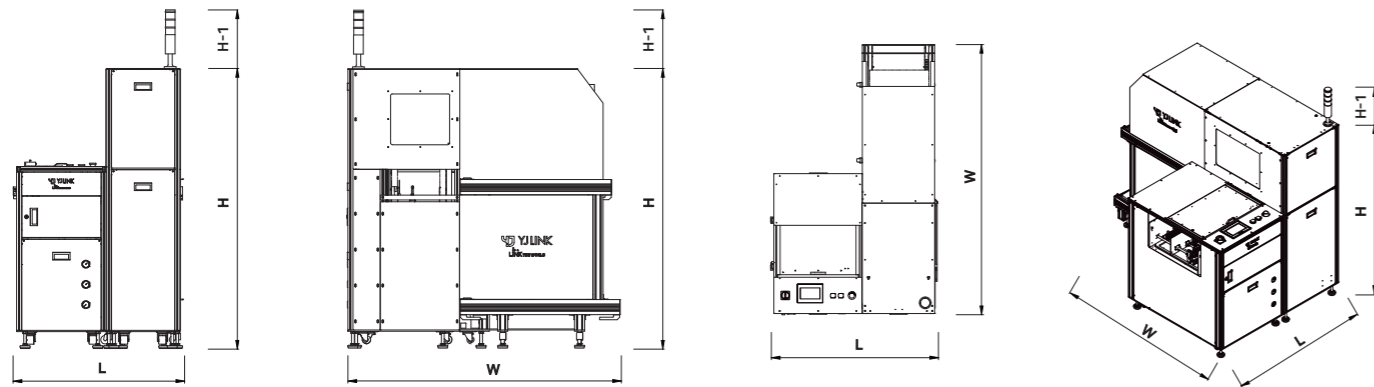
Combi - Magazine

Combi - Rack

# Magazine Buffer



This unit handles PCBs in variable operation modes in line.



\* Dimension: Based on pass line 950mm. Height may change depending on pass line.

SMT		SIZE	DIMENSION (mm)				WEIGHT (Kg)	
CODE No.	MODEL		L	W	H	H-1		
M-10C-YM2-0500	YMB-1M00	M	1000	1100	1615	1655	2000	360
M-10C-YL2-0500	YMB-1L00	L	1220	1320	1730	1655	2000	420
M-10C-YX2-0500	YMB-1X00	X	1370	1470	2110	1655	2000	485

• When Jam detect function option is selected

## Standard Spec.

Item	Selectable Standard			Item	Standard
Line Flow	Left to Right	Right to Left		Magazine Slot (ea)	50
Fixed Rail	Front	Rear		Magazine A size	34mm
Pass Line (mm)	950±20	900±20		Magazine B size	34mm
Voltage & Frequency	220V±(10%) & 50 ~ 60Hz		110V±(10%) & 50 ~ 60Hz	Magazine Loading	Front / Rear
				Pitch	1~6 (10~60mm)
PCB Size	M	L	X	Mode	By pass / Buffering(FIFO, LIFO) / Loading / Unloading / NG Stacking
Min.PCB (L X W) (mm)	70 X 100				
Max.PCB (L X W) (mm)	330 X 250	440 X 330	460 X 460		
Item	Standard			Magazine Capacity (ea) *	Upper 2 / Lower 2
PCB Top/Bottom Clearance (mm) *	30 / 25			Exit Guide	Fixed block in fixed rail side
PCB Edge (mm)	3			Jam Detect Function *	Pneumatic
PCB Loading Weight(kg)	3			Safety Cover	Outer
Conveyor Belt	Flat edge belt			Width Adjustment *	Manual
Conveyor Speed(mm/sec) *	200			Interface	SMEMA Communication
PCB Thickness (mm)	0.6 ~ 4.0			Smema Cable	3m / 1 ea
PCB Color	Green			Alarm	Tower lamp (3 color)
PCB In/Out Sensor	Single sensor			Color *	SR RAL 7035 : NON ESD
Magazine Size (L X W X H)(mm)	M	L	X	Air Supply	0.5Mpa (5bar)
	355 X 320 X 570	460 X 400 X 575	535 X 530 X 575	Air Usage	11.30 ℓ/min
Magazine Full Rack (kg)	20	30	50	Electricity Consumption	260W

## Option Spec.

Item	CODE No.	Option
Conveyor Speed (mm/sec) *	O-100-HW0-0104	1~200 / Analog / 1ea
Width Adjustment *	O-100-HW0-0205	Auto / 1ea
Gas Spring Cover	O-100-HW0-0501	-
Double Sensors	O-100-HW0-0607	-
PCB Top/Bottom Clearance (mm) *	O-100-HW0-0900	60 / 60
	O-100-HW0-0901	100 / 100
High Speed Magazine Change	O-100-HW1-0100	Cycle time 26sec.
Jam Detect Function *	O-100-HW1-0202	-
Magazine Capacity (ea) *	O-100-HW1-0401	Upper 2 / Lower 3
	O-100-HW1-0402	Upper 3 / Lower 3
Width Synchronization	O-100-SW0-0200	via RS-485
Line Control	O-200-LC0-0100	Hermes
	O-200-LC0-0200	Smart kit (LAN communication PLC)
Color *	O-400-CO0-0100	ESD powder coating (RAL 7035 / Gray)

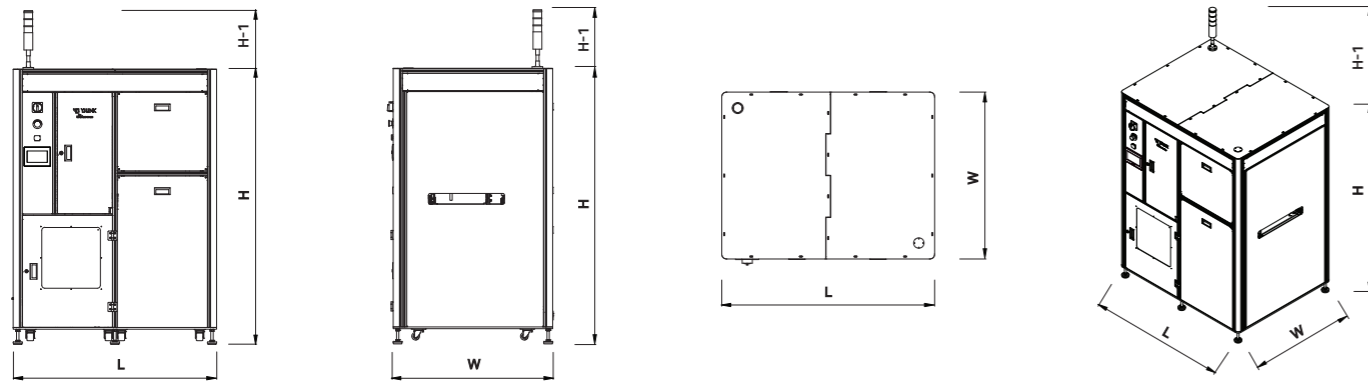
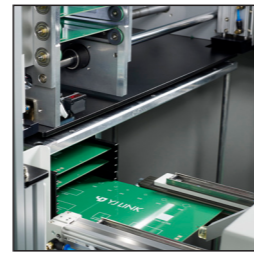
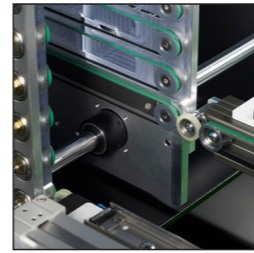
Line Control System for Smart Line / MES / Color-NON ESD ▶ Refer to P.114(Common Option Spec.).

\*\*High Speed Magazine Change Option Sequence : last board loading – lifter goes up – current magazine rack is out – lifter goes down – new magazine rack is loaded – ready to send the first board.

# Combi - Magazine



The equipment is located after the SPI/AOI, which allows simultaneous PCB buffering and NG PCB loading.



\* Dimension: Based on pass line 950mm. Height may change depending on pass line.

SMT		SIZE	DIMENSION (mm)				WEIGHT (Kg)
CODE No.	MODEL		L	W	H	H-1	
M-10C-YM2-0601	YCM-1M01	M	1200	840	1800	2200	370
M-10C-YL2-0601	YCM-1L01	L	1200	970	1800	2200	420
M-10C-YX2-0601	YCM-1X01	X	1340	1050	1800	2200	470

## Standard Spec.

Item	Selectable Standard			Item	Standard			
Line Flow	Left to Right	Right to Left		Magazine Size (L X W X H)(mm)	M	L	X	
Fixed Rail	Front	Rear			355 X 320 X 570	460 X 400 X 575	535 X 530 X 575	
Pass Line (mm)	950±20	900±20			Magazine Full Rack (kg)	20	30	50
Voltage & Frequency	220V±(10%) & 50 ~ 60Hz		110V±(10%) & 50 ~ 60Hz		Magazine Slot (ea)	50		
PCB Size	M	L	X	Magazine A size	34mm			
Min.PCB (L X W) (mm)	120 X 50			Magazine B size	34mm			
Max.PCB (L X W) (mm)	330 X 250	440 X 330	460 X 460	Magazine Capacity (ea)	1			
Item	Standard			NG PCB Stacking	Upper to Bottom (50 to 1)			
PCB Top/Bottom Clearance (mm) *	30 / 25			Jam Detect Function *	Pneumatic			
PCB Edge (mm)	3			Mode	FIFO, LIFO / By pass / NG Stacking			
PCB Loading Weight(kg)	3			Width Adjustment *	Manual			
Slot of Rack (ea)	20 (±15mm)			Interface	SMEMA Communication			
Pitch	Rack	1~4 (30~120mm)		Smema Cable	3m / 1 ea			
	Magazine	1~6 (10~60mm)		Alarm	Tower lamp (3 color)			
Conveyor Belt	Flat edge belt			Color *	SR RAL 7035 : NON ESD			
Conveyor Speed(mm/sec) *	200			Air Supply	0.5Mpa (5bar)			
PCB Thickness (mm)	0.6 ~ 4.0			Air Usage	8.0 ℓ/min			
PCB Color	Green			Electricity Consumption	600W			
PCB In/Out Sensor	Single sensor							

## Option Spec.

Item	CODE No.	Option	
Conveyor Speed (mm/sec) *	O-100-HW0-0104	Rack Part	1~200 / Analog / 1ea
		Conveyor Part	1~200 / Analog / 1ea
Width Adjustment *	O-100-HW0-0205	Rack Part	Auto / 1ea
		Conveyor Part	Auto / 1ea
Double Sensors	O-100-HW0-0607	-	
PCB Top/Bottom Clearance (mm) *	O-100-HW0-0900	60 / 60	
	O-100-HW0-0901	100 / 100	
Width Synchronization	O-100-SW0-0200	via RS-485	
Line Control	O-200-LC0-0100	Hermes	
	O-200-LC0-0200	Smart kit (LAN communication PLC)	
Color *	O-400-CO0-0100	ESD powder coating (RAL 7035 / Gray)	

Line Control System for Smart Line / MES / Color-NON ESD ▶ Refer to P.114(Common Option Spec.).

Loader/Unloader Series

Buffer Series

Conveyor Series

Traceability / Post-processing

Tower

Tower - Cooling

Tower + NG Conveyor

Tower + Conveyor - Cooling

Magazine Buffer

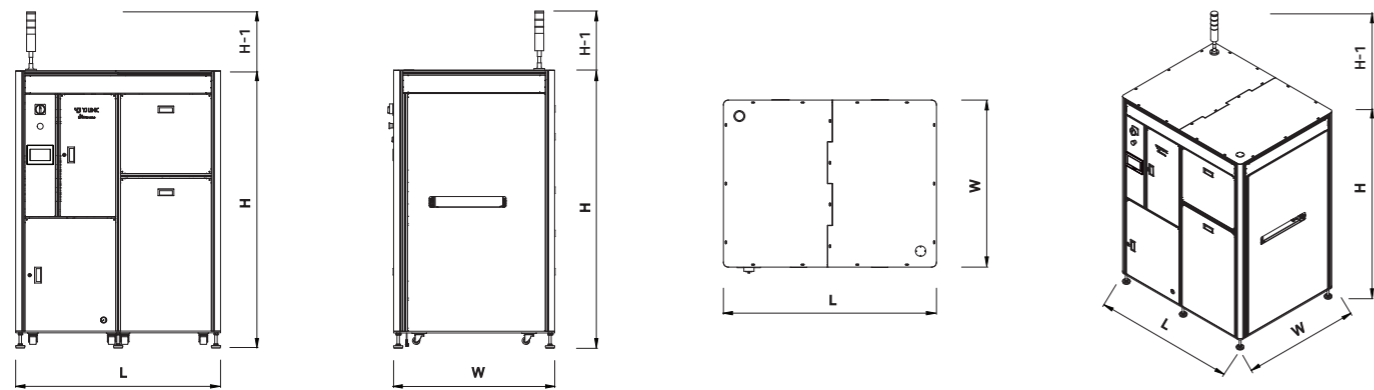
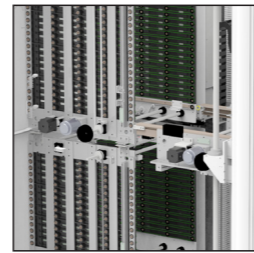
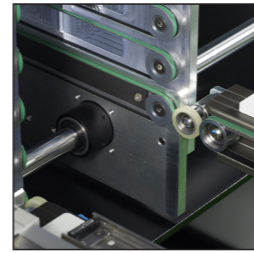
Combi - Magazine

Combi - Rack

# Combi - Rack



This equipment is located between SMT machines to improve working efficiency by buffering PCB.



\* Dimension: Based on pass line 950mm. Height may change depending on pass line.

SMT		SIZE	DIMENSION (mm)				WEIGHT (Kg)
CODE No.	MODEL		L	W	H	H-1	
M-10C-YM2-0703	YCR-1M03	M	1200	840	1800	2200	360
M-10C-YX2-0703	YCR-1X03	X	1340	1050	1800	2200	460

### Standard Spec.

Item	Selectable Standard		Item	Standard
Line Flow	Left to Right	Right to Left	Conveyor Belt	Flat edge belt
Fixed Rail	Front	Rear	Conveyor Speed(mm/sec) *	200
Pass Line (mm)	950±20	900±20	PCB Thickness (mm)	0.6 ~ 4.0
Voltage & Frequency	220V±(10%) & 50 ~ 60Hz	110V±(10%) & 50 ~ 60Hz	PCB Color	Green
			PCB In/Out Sensor	Single sensor
PCB Size	M	X	Mode	FIFO, LIFO / By pass
Min.PCB (L X W) (mm)	120 X 50		Width Adjustment *	Manual
Max.PCB (L X W) (mm)	330 X 250	460 X 460	Interface	SMEMA Communication
Item	Standard		Smema Cable	3m / 1 ea
PCB Top/Bottom Clearance (mm) *	30 / 25		Alarm	Tower lamp (3 color)
PCB Edge (mm)	3		Color *	SR RAL 7035 : NON ESD
PCB Loading Weight(kg)	3		Air Supply	0.5Mpa (5bar)
Slot of Rack (ea)	35 (±15mm)		Air Usage	2.0 ℓ/min
Pitch	1~4 (30~120mm)		Electricity Consumption	600W

### Option Spec.

Item	CODE No.	Option	
Conveyor Speed (mm/sec) *	O-100-HW0-0104	Rack Part	1~200 / Analog / 1ea
		Conveyor Part	1~200 / Analog / 1ea
Width Adjustment *	O-100-HW0-0205	Rack Part	Auto / 2ea
		Conveyor Part	Auto / 1ea
Double Sensors	O-100-HW0-0607	-	
PCB Top/Bottom Clearance (mm) *	O-100-HW0-0900	60 / 60	
	O-100-HW0-0901	100 / 100	
Width Synchronization	O-100-SW0-0200	via RS-485	
Line Control	O-200-LC0-0100	Hermes	
	O-200-LC0-0200	Smart kit (LAN communication PLC)	
Color *	O-400-CO0-0100	ESD powder coating (RAL 7035 / Gray)	

Line Control System for Smart Line / MES / Color-NON ESD ▶ Refer to P.114(Common Option Spec.).

Loader/Unloader Series

Buffer Series

Conveyor Series

Traceability / Post-processing

Tower

Tower - Cooling

Tower

+ NG Conveyor

Tower

+ Conveyor - Cooling

Magazine Buffer

Combi - Magazine

Combi - Rack

# BOARD HANDLING

## CONVEYOR SERIES

PCB Cleaner - Vacuum	.....	P. 60
PCB Cleaner - Vacuum + Sticky roller	.....	P. 62
Gate Conveyor - Telescope	.....	P. 64
Gate Conveyor - Down/Up	.....	P. 66
Vertical Turn	.....	P. 68
Horizontal Turn	.....	P. 70
Shuttle Conveyor	.....	P. 72
NG Conveyor	.....	P. 74
Connection Conveyor	.....	P. 76
Connection Conveyor - Cooling	.....	P. 78
Connection Conveyor - Barcode Manual Bracket (Single sided)	.....	P. 80
Connection Conveyor - Barcode Manual Bracket (Double sided)	.....	P. 82
Work Conveyor - Inspection	.....	P. 84
Work Conveyor - Work	.....	P. 86
Sky Line - Elevator Unit	.....	P. 88
Sky Line - Connection Conveyor	.....	P. 90
Pallet Return Line - Elevator Unit	.....	P. 92
Pallet Return Line - Connection Conveyor	.....	P. 94
Barcode Scanning Conveyor	.....	P. 96



➤ PCB Cleaner - Vacuum P. 60



➤ PCB Cleaner - Vacuum + Sticky roller P. 62



➤ Gate Conveyor - Telescope P. 64



➤ Gate Conveyor - Telescope P. 66



➤ Vertical Turn P. 68



➤ Horizontal Turn P. 70



➤ Shuttle Conveyor P. 72



➤ NG Conveyor P. 74



➤ Connection Conveyor P. 76



➤ Connection Conveyor - Cooling P. 78



➤ Connection Conveyor -Barcode Manual Bracket (Single sided) P. 80



➤ Connection Conveyor -Barcode Manual Bracket (Double sided) P. 82



➤ Work Conveyor - Inspection P. 84



➤ Work Conveyor - Work P. 86



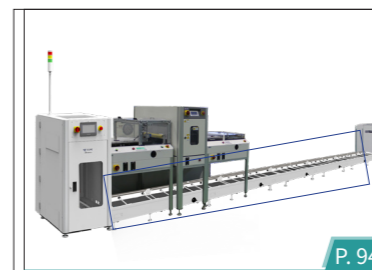
➤ Sky Line - Elevator Unit P. 88



➤ Sky Line - Connection Conveyor P. 90



➤ Pallet Return Line - Elevator Unit P. 92



➤ Pallet Return Line - Connection Conveyor P. 94

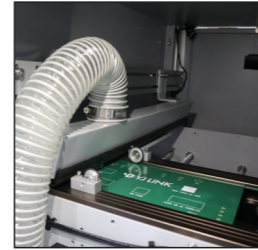
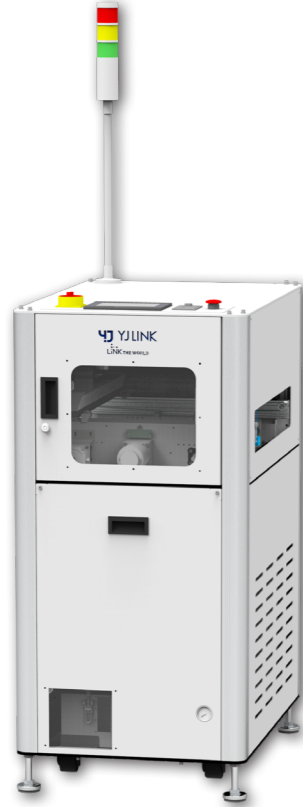


➤ Barcode Scanning Conveyor P. 96

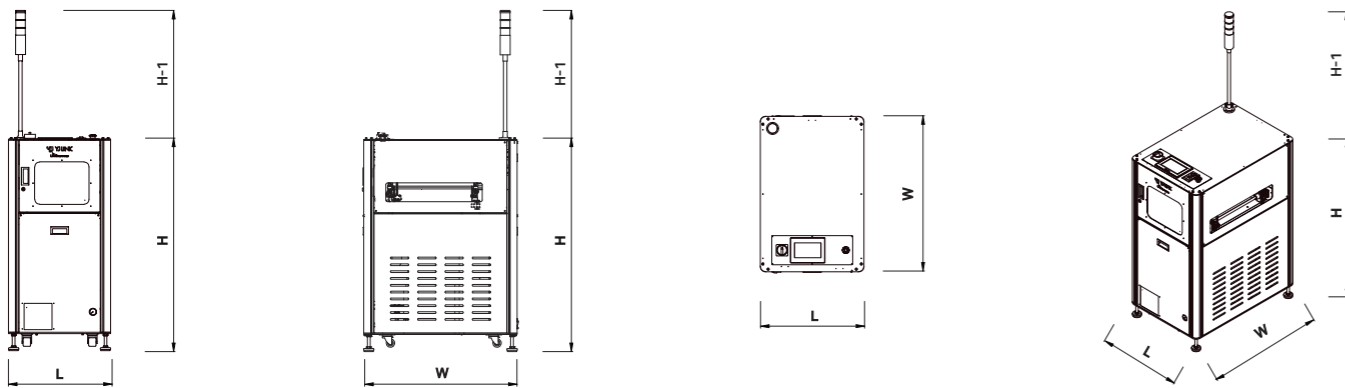
# PCB Cleaner - Vacuum



Removes dust and particle on a PCB by vacuum and ionizer while being transferred to next process.



Ring Blower



\* Dimension: Based on pass line 950mm. Height may change depending on pass line.

SMT		SIZE	DIMENSION (mm)				WEIGHT (Kg)
CODE No.	MODEL		L	W	H	H-1	
M-10C-YX4-0101	YPC-1X00	X	600	900	1243	2000	165

## Standard Spec.

Item	Selectable Standard		Item	Standard	
	Left to Right	Right to Left			
Line Flow	Left to Right	Right to Left	PCB Thickness (mm)	0.6 ~ 4.0	
Fixed Rail	Front	Rear	PCB Color	Green	
Pass Line (mm)	950±20	900±20	PCB In/Out Sensor	Single sensor	
Voltage & Frequency	220V±(10%) & 50 ~ 60Hz	110V±(10%) & 50 ~ 60Hz	Mode	By pass (Manual) / Cleaning	
	X		Ionizer Brand	PANASONIC	
PCB Size	X		Ionizer Position	Output	
Min.PCB (L X W) (mm)	70 X 50		Dust Collector	Inner Ring Blower	
Max.PCB (L X W) (mm)	460 X 460		Width Adjustment *	Manual	
Item	Standard			Item	Standard
PCB Top/Bottom Clearance (mm)	00 / 00			Interface	SMEMA Communication
	30 / 25 (By pass)			Smema Cable	3m / 1 ea
PCB Edge (mm)	3			Alarm	Tower lamp (3 color)
PCB Loading Weight (kg)	3			Color *	SR RAL 7035 : NON ESD
Conveyor Belt	Flat edge belt			Air Supply	0.5Mpa (5bar)
Conveyor Speed(mm/sec) *	60			Air Usage	6.0 ℓ/min
			Electricity Consumption	1350W	

## Option Spec.

Item	CODE No.	Option
Conveyor Speed (mm/sec) *	O-100-HW0-0104	1~60 / Analog / 1ea
Width Adjustment *	O-100-HW0-0205	Auto / 1ea
Double Sensors	O-100-HW0-0607	-
Width Synchronization	O-100-SW0-0200	via RS-485
Line Control	O-200-LC0-0100	Hermes
	O-200-LC0-0200	Smart kit (LAN communication PLC)
Color *	O-400-CO0-0100	ESD powder coating (RAL 7035 / Gray)

Line Control System for Smart Line / MES / Color-NON ESD ▶ Refer to P.114(Common Option Spec.).

Loader/Unloader Series

Buffer Series

Conveyor Series

Traceability / Post-processing

PCB Cleaner - Vacuum

PCB Cleaner - Vacuum + Sticky roller

Gate Conveyor - Telescope

Gate Conveyor - Down/Up

Vertical Turn

Horizontal Turn

Shuttle Conveyor

NG Conveyor

Connection Conveyor

Connection Conveyor - Cooling

Connection Conveyor-Barcode Manual Bracket (Single sided)

Connection Conveyor-Barcode Manual Bracket (Double sided)

Work Conveyor - Inspection

Work Conveyor - Work

Sky Line - Elevator Unit

Sky Line - Connection Conveyor

Pallet Return Line - Elevator Unit

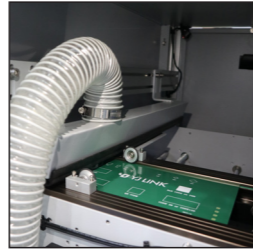
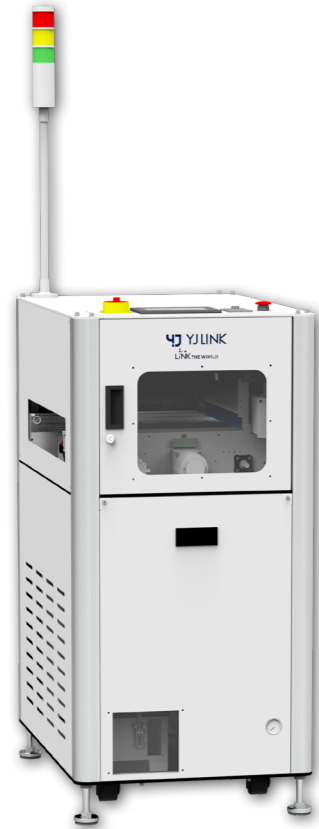
Pallet Return Line - Connection Conveyor

Barcode Scanning Conveyor

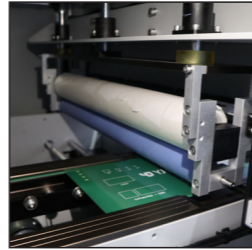
# PCB Cleaner - Vacuum + Sticky roller



Removes dust and particle on a PCB by vacuum, sticky roller and ionizer while being transferred to next process.



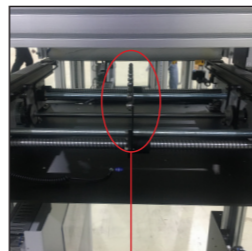
Vacuum



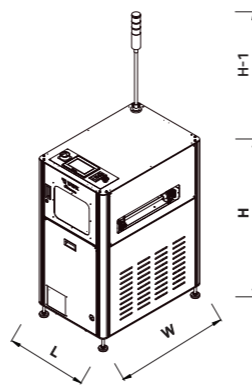
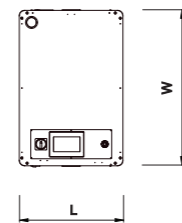
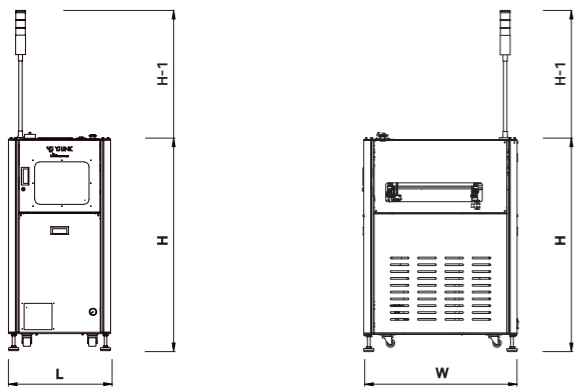
Sticky Roller



Ring Blower



Support Roller



\* Dimension: Based on pass line 950mm. Height may change depending on pass line.

SMT		SIZE	DIMENSION (mm)				WEIGHT (Kg)
CODE No.	MODEL		L	W	H	H-1	
M-10C-YX4-0103	YPC-1X01	X	600	900	1243	2000	175

## Standard Spec.

Item	Selectable Standard		Item	Standard
Line Flow	Left to Right	Right to Left	PCB Color	Green
Fixed Rail	Front	Rear	PCB In/Out Sensor	Single sensor
Pass Line (mm)	950±20	900±20	Mode	By pass (Manual) / Cleaning
Voltage & Frequency	220V±(10%) & 50 ~ 60Hz	110V±(10%) & 50 ~ 60Hz	Ionizer Brand	PANASONIC
PCB Size	X		Ionizer Position	Output
Min.PCB (L X W) (mm)	70 X 80		Support Roller Position	Bottom
Max.PCB (L X W) (mm)	460 X 460		Dust Collector	Inner Ring Blower + Sticky Roller
Item	Standard		Width Adjustment *	Manual
PCB Top/Bottom Clearance (mm)	00 / 00		Interface	SMEMA Communication
PCB Edge (mm)	3		Smema Cable	3m / 1 ea
PCB Loading Weight (kg)	3		Alarm	Tower lamp (3 color)
Conveyor Belt	Flat edge belt		Color *	SR RAL 7035 : NON ESD
Conveyor Speed(mm/sec) *	60		Air Supply	0.5Mpa (5bar)
PCB Thickness (mm)	0.6 ~ 4.0		Air Usage	6.0 ℓ/min
			Electricity Consumption	1350W

## Option Spec.

Item	CODE No.	Option
Conveyor Speed (mm/sec) *	O-100-HW0-0104	1~60 / Analog / 1ea
Width Adjustment *	O-100-HW0-0205	Auto / 1ea
Double Sensors	O-100-HW0-0607	-
Width Synchronization	O-100-SW0-0200	via RS-485
Line Control	O-200-LC0-0100	Hermes
	O-200-LC0-0200	Smart kit (LAN communication PLC)
Color *	O-400-CO0-0100	ESD powder coating (RAL 7035 / Gray)

Line Control System for Smart Line / MES / Color-NON ESD ▶ Refer to P.114(Common Option Spec.).

Loader/Unloader Series

Buffer Series

Conveyor Series

Traceability / Post-processing

PCB Cleaner - Vacuum

PCB Cleaner - Vacuum + Sticky roller

Gate Conveyor - Telescope

Gate Conveyor - Down/Up

Vertical Turn

Horizontal Turn

Shuttle Conveyor

NG Conveyor

Connection Conveyor

Connection Conveyor - Cooling

Connection Conveyor-Barcode Manual Bracket (Single sided)

Connection Conveyor-Barcode Manual Bracket (Double sided)

Work Conveyor - Inspection

Work Conveyor - Work

Sky Line - Elevator Unit

Sky Line - Connection Conveyor

Pallet Return Line - Elevator Unit

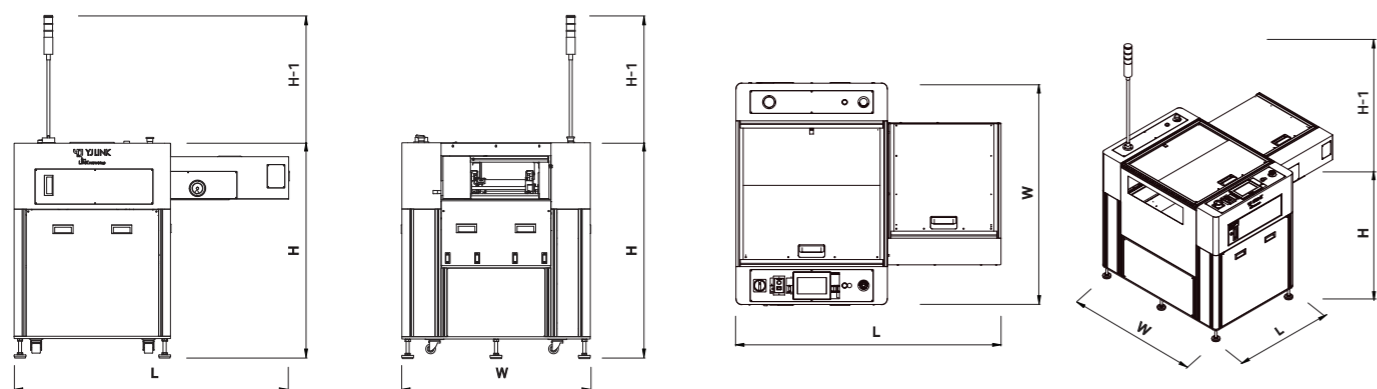
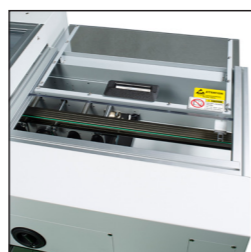
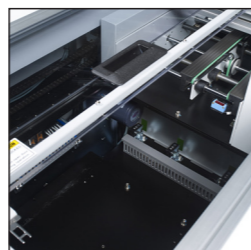
Pallet Return Line - Connection Conveyor

Barcode Scanning Conveyor

# Gate Conveyor - Telescope



In middle of SMT line, this unit allows operators to pass through the line, without interrupting PCB flow.



\* Dimension: Based on pass line 950mm. Height may change depending on pass line.

SMT		POST-PROCESS		SIZE	DIMENSION (mm)				WEIGHT (Kg)
CODE No.	MODEL	CODE No.	MODEL		L	W	H	H-1	
M-10C-YX4-0201	YGC-1X00	M-50C-YX4-0201	YGC-6X00	X	1400(800+600)	1170	1100	2000	315

## Standard Spec.

Item	Selectable Standard		Item	Standard
	Left to Right	Right to Left		
Line Flow	Left to Right	Right to Left	PCB Thickness (mm)	0.6 ~ 4.0
Fixed Rail	Front	Rear	PCB Color	Green
Pass Line (mm)	950±20	900±20	PCB In/Out Sensor	Single sensor
Voltage & Frequency	220V±(10%) & 50 ~ 60Hz	110V±(10%) & 50 ~ 60Hz	Standard Length (mm)	800(Body) + 600(Passing Rail)
			Safety Sensor	Photo Sensors on Body Part
PCB Size	X		Passing Rail Cover	Sliding Cover
Min.PCB (L X W) (mm)	70 X 50		Width Adjustment *	Manual
Max.PCB (L X W) (mm)	460 X 460		Interface	SMEMA Communication
Item	Standard		Smema Cable	3m / 1 ea
	SMT	POST-PROCESS	Alarm	Tower lamp (3 color)
PCB Top/Bottom Clearance (mm) *	30 / 25	60 / 60	Color *	SR RAL 7035 : NON ESD
PCB Edge (mm)	3	5	Electricity Consumption	275W
PCB Loading Weight (kg)	3	8		
Conveyor Belt	Flat edge belt	Pin Chain		
Conveyor Speed(mm/sec) *	200	100		

## Option Spec.

Item	CODE No.	Option
Conveyor Speed (mm/sec) *	O-100-HW0-0104	1~200 / Analog / 1ea
		1~100 / Analog / 1ea
Width Adjustment *	O-100-HW0-0205	Auto / 1ea
Double Sensors	O-100-HW0-0607	-
PCB Top/Bottom Clearance (mm) *	O-100-HW0-0900	60 / 60
	O-100-HW0-0901	100 / 100
Width Synchronization	O-100-SW0-0200	via RS-485
Line Control	O-200-LC0-0100	Hermes
	O-200-LC0-0200	Smart kit (LAN communication PLC)
Color *	O-400-CO0-0100	ESD powder coating (RAL 7035 / Gray)

Line Control System for Smart Line / MES / Color-NON ESD ▶ Refer to P.114(Common Option Spec.).

Loader/Unloader Series

Buffer Series

Conveyor Series

Traceability / Post-processing

PCB Cleaner - Vacuum

PCB Cleaner - Vacuum + Sticky roller

Gate Conveyor - Telescope

Gate Conveyor - Down/Up

Vertical Turn

Horizontal Turn

Shuttle Conveyor

NG Conveyor

Connection Conveyor

Connection Conveyor - Cooling

Connection Conveyor-Barcode Manual Bracket (Single sided)

Connection Conveyor-Barcode Manual Bracket (Double sided)

Work Conveyor - Inspection

Work Conveyor - Work

Sky Line - Elevator Unit

Sky Line - Connection Conveyor

Pallet Return Line - Elevator Unit

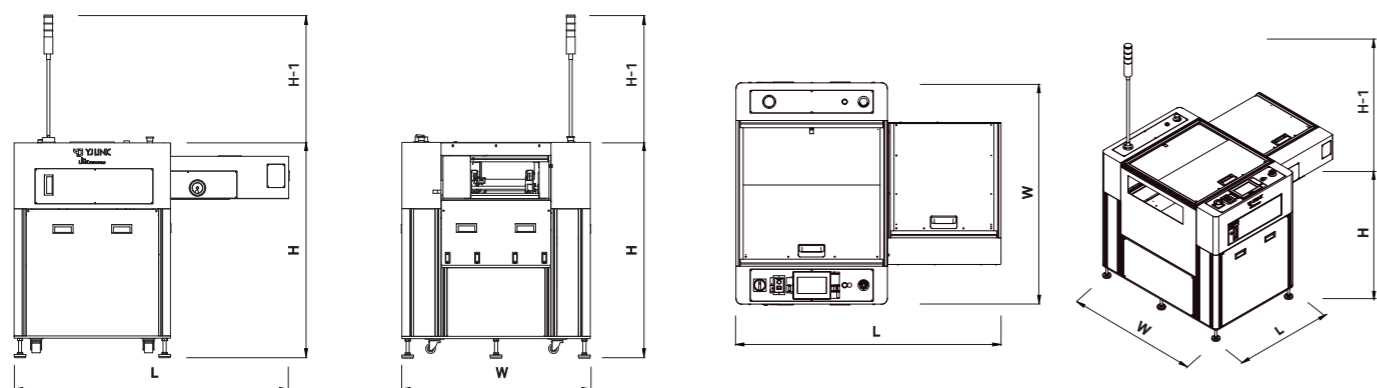
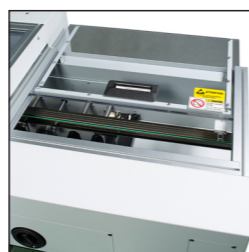
Pallet Return Line - Connection Conveyor

Barcode Scanning Conveyor

# Gate Conveyor - Down/Up



In middle of SMT line, this unit allows operators to pass through the line, without interrupting PCB flow.



\* Dimension: Based on pass line 950mm. Height may change depending on pass line.

SMT		POST-PROCESS		SIZE	DIMENSION (mm)				WEIGHT (Kg)
CODE No.	MODEL	CODE No.	MODEL		L	W	H	H-1	
M-10C-YX4-0202	YGC-1X10	M-50C-YX4-0202	YGC-6X10	X	1400(800+600)	1170	1100	2000	360

## Standard Spec.

Item	Selectable Standard		Item	Standard
	Left to Right	Right to Left		
Line Flow	Left to Right	Right to Left	PCB Thickness (mm)	0.6 ~ 4.0
Fixed Rail	Front	Rear	PCB Color	Green
Pass Line (mm)	950±20	900±20	PCB In/Out Sensor	Single sensor
Voltage & Frequency	220V±(10%) & 50 ~ 60Hz	110V±(10%) & 50 ~ 60Hz	Standard Length (mm)	800(Body) + 600(Passing Rail)
			Safety Sensor	Photo Sensors on Body Part
PCB Size	X		Passing Rail Cover	Sliding Cover
Min.PCB (L X W) (mm)	70 X 50		Width Adjustment *	Manual
Max.PCB (L X W) (mm)	460 X 460		Interface	SMEMA Communication
Item	Standard		Item	Standard
	SMT	POST-PROCESS		
PCB Top/Bottom Clearance (mm) *	30 / 25	60 / 60	Smema Cable	3m / 1 ea
PCB Edge (mm)	3	5	Alarm	Tower lamp (3 color)
PCB Loading Weight (kg)	3	8	Color *	SR RAL 7035 : NON ESD
Conveyor Belt	Flat edge belt	Pin Chain	Air Supply	0.5Mpa(5bar)
Conveyor Speed(mm/sec) *	200	100	Air Usage	9.4 ℓ/min
			Electricity Consumption	355W

## Option Spec.

Item		CODE No.	Option
Conveyor Speed (mm/sec) *	SMT	O-100-HW0-0104	1~200 / Analog / 2ea
	POST-PROCESS		1~100 / Analog / 2ea
Width Adjustment *		O-100-HW0-0205	Auto / 2ea
Double Sensors		O-100-HW0-0607	-
PCB Top/Bottom Clearance (mm) *		O-100-HW0-0900	60 / 60
		O-100-HW0-0901	100 / 100
Width Synchronization		O-100-SW0-0200	via RS-485
Line Control		O-200-LC0-0100	Hermes
		O-200-LC0-0200	Smart kit (LAN communication PLC)
Color *		O-400-CO0-0100	ESD powder coating (RAL 7035 / Gray)

Line Control System for Smart Line / MES / Color-NON ESD ▶ Refer to P.114(Common Option Spec.).

Loader/Unloader Series

Buffer Series

Conveyor Series

Traceability / Post-processing

PCB Cleaner - Vacuum

PCB Cleaner - Vacuum + Sticky roller

Gate Conveyor - Telescope

Gate Conveyor - Down/Up

Vertical Turn

Horizontal Turn

Shuttle Conveyor

NG Conveyor

Connection Conveyor

Connection Conveyor - Cooling

Connection Conveyor-Barcode Manual Bracket (Single sided)

Connection Conveyor-Barcode Manual Bracket (Double sided)

Work Conveyor - Inspection

Work Conveyor - Work

Sky Line - Elevator Unit

Sky Line - Connection Conveyor

Pallet Return Line - Elevator Unit

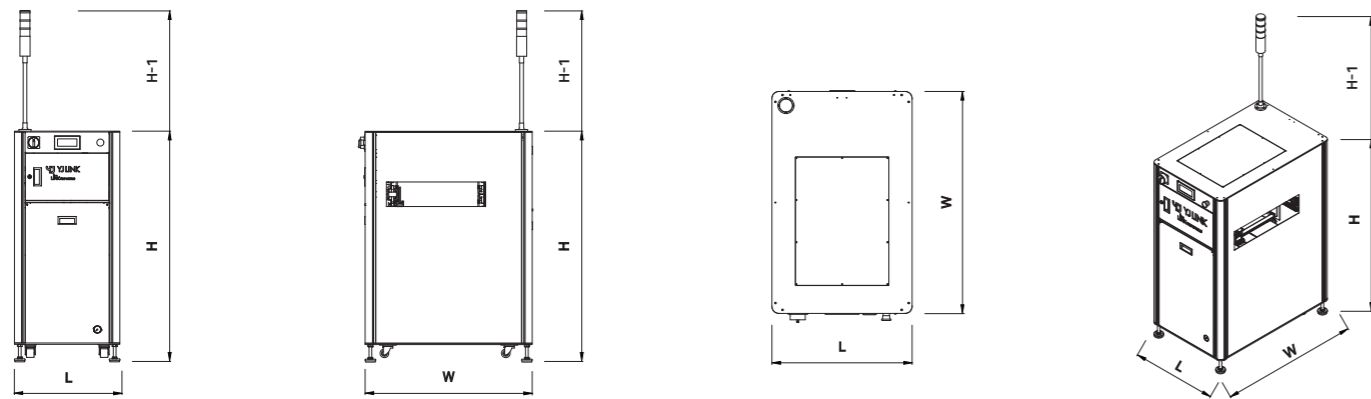
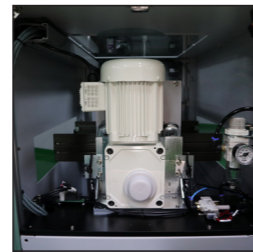
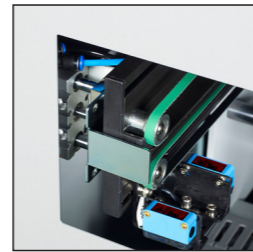
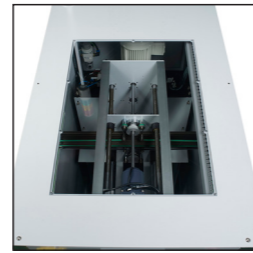
Pallet Return Line - Connection Conveyor

Barcode Scanning Conveyor

# Vertical Turn



This unit flips the PCBs for double sided assembly.



\* Dimension: Based on pass line 950mm. Height may change depending on pass line.

SMT		POST-PROCESS		SIZE	DIMENSION (mm)				WEIGHT (Kg)
CODE No.	MODEL	CODE No.	MODEL		L	W	H	H-1	
M-10C-YX4-0300	YVT-1X00	M-50C-YX4-0300	YVT-6X00	X	535	950	1313	2000	145

## Standard Spec.

Item	Selectable Standard		Item	Standard
	Left to Right	Right to Left		
Line Flow	Left to Right	Right to Left	PCB Thickness (mm)	0.6 ~ 4.0
Fixed Rail	Front	Rear	PCB Color	Green
Pass Line (mm)	950±20	900±20	PCB In/Out Sensor	Single sensor
Voltage & Frequency	220V±(10%) & 50 ~ 60Hz	110V±(10%) & 50 ~ 60Hz	Mode	By pass / Flip and Pass PCB
	PCB Size		Width Adjustment *	Manual
Min.PCB (L X W) (mm)	70 X 50		Interface	SMEMA Communication
Max.PCB (L X W) (mm)	460 X 460		Smema Cable	3m / 1 ea
Item	Standard		Alarm	Tower lamp (3 color)
	SMT	POST-PROCESS	Color *	SR RAL 7035 : NON ESD
PCB Top/Bottom Clearance (mm) *	30 / 25	60 / 60	Air Supply	0.5Mpa(5bar)
PCB Edge (mm)	3	5	Air Usage	0.8 ℓ/min
PCB Loading Weight (kg)	3	8	Electricity Consumption	265W
Conveyor Belt	Flat edge belt	Pin Chain		
Conveyor Speed(mm/sec) *	200	100		

## Option Spec.

Item	CODE No.		Option
	SMT	POST-PROCESS	
Conveyor Speed (mm/sec) *		O-100-HW0-0104	1~200 / Analog / 1ea
			1~100 / Analog / 1ea
Width Adjustment *	O-100-HW0-0205		Auto / 1ea
Double Sensors	O-100-HW0-0607		-
PCB Top/Bottom Clearance (mm) *	O-100-HW0-0900		60 / 60
	O-100-HW0-0901		100 / 100
Width Synchronization	O-100-SW0-0200		via RS-485
Line Control	O-200-LC0-0100		Hermes
	O-200-LC0-0200		Smart kit (LAN communication PLC)
Color *	O-400-CO0-0100		ESD powder coating (RAL 7035 / Gray)

Line Control System for Smart Line / MES / Color-NON ESD ▶ Refer to P.114(Common Option Spec.).

Loader/Unloader Series

Buffer Series

Conveyor Series

Traceability / Post-processing

PCB Cleaner - Vacuum

PCB Cleaner - Vacuum + Sticky roller

Gate Conveyor - Telescope

Gate Conveyor - Down/Up

Vertical Turn

Horizontal Turn

Shuttle Conveyor

NG Conveyor

Connection Conveyor

Connection Conveyor - Cooling

Connection Conveyor-Barcode Manual Bracket (Single sided)

Connection Conveyor-Barcode Manual Bracket (Double sided)

Work Conveyor - Inspection

Work Conveyor - Work

Sky Line - Elevator Unit

Sky Line - Connection Conveyor

Pallet Return Line - Elevator Unit

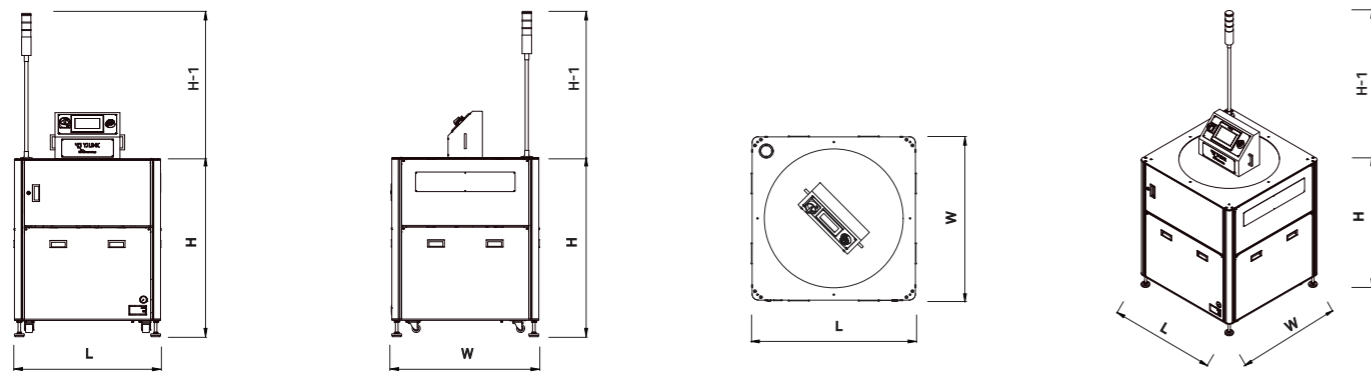
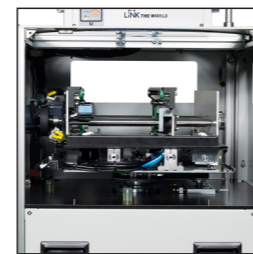
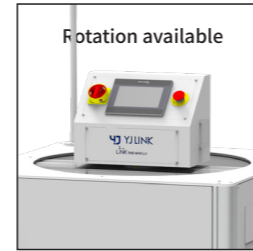
Pallet Return Line - Connection Conveyor

Barcode Scanning Conveyor

# Horizontal Turn



This unit turns PCBs' flow direction clockwise and counter clockwise



\* Dimension: Based on pass line 950mm. Height may change depending on pass line.

SMT		POST-PROCESS		SIZE	DIMENSION (mm)				WEIGHT (Kg)
CODE No.	MODEL	CODE No.	MODEL		L	W	H	H-1	
M-10C-YM4-0400	YHT-1M00	M-50C-YM4-0400	YHT-6M00	M	700	700	1380	2000	155
M-10C-YX4-0400	YHT-1X00	M-50C-YX4-0400	YHT-6X00	X	900	900	1380	2000	205

### Standard Spec.

Item	Selectable Standard		Item	Standard
	Left to Right	Right to Left		
Line Flow	Front	Rear	PCB Thickness (mm)	0.6 ~ 4.0
Fixed Rail	950±20	900±20	PCB Color	Green
Pass Line (mm)	220V±(10%) & 50 ~ 60Hz	110V±(10%) & 50 ~ 60Hz	PCB In/Out Sensor	Single sensor
Voltage & Frequency	M	X	Mode	By pass / Horizontal Turn
PCB Size	70 X 50		Turning Direction	Clockwise / Counter Clockwise
Min.PCB (L X W) (mm)	330 X 250	460 X 460	Width Adjustment *	Manual
Max.PCB (L X W) (mm)	Standard		Interface	SMEMA Communication
Item	SMT	POST-PROCESS	Smema Cable	3m / 1 ea
	PCB Top/Bottom Clearance (mm) *	30 / 25	60 / 60	Alarm
PCB Edge (mm)	3	5	Color *	SR RAL 7035 : NON ESD
PCB Loading Weight (kg)	3	8	Air Supply	0.5Mpa(5bar)
Conveyor Belt	Flat edge belt	Pin Chain	Air Usage	6.2 ℓ/min
Conveyor Speed(mm/sec) *	200	100	Electricity Consumption	465W

### Option Spec.

Item	CODE No.		Option
	SMT	POST-PROCESS	
Conveyor Speed (mm/sec) *	O-100-HW0-0104	1~200 / Analog / 1ea	
	O-100-HW0-0104	1~100 / Analog / 1ea	
Width Adjustment *	O-100-HW0-0205	Auto / 1ea	
Double Sensors	O-100-HW0-0607	-	
PCB Top/Bottom Clearance (mm) *	O-100-HW0-0900	60 / 60	
	O-100-HW0-0901	100 / 100	
Width Synchronization	O-100-SW0-0200	via RS-485	
Line Control	O-200-LC0-0100	Hermes	
	O-200-LC0-0200	Smart kit (LAN communication PLC)	
Color *	O-400-CO0-0100	ESD powder coating (RAL 7035 / Gray)	

Line Control System for Smart Line / MES / Color-NON ESD ▶ Refer to P.114(Common Option Spec.).

Loader/Unloader Series

Buffer Series

Conveyor Series

Traceability / Post-processing

PCB Cleaner - Vacuum

PCB Cleaner - Vacuum + Sticky roller

Gate Conveyor - Telescope

Gate Conveyor - Down/Up

Vertical Turn

Horizontal Turn

Shuttle Conveyor

NG Conveyor

Connection Conveyor

Connection Conveyor - Cooling

Connection Conveyor-Barcode Manual Bracket (Single sided)

Connection Conveyor-Barcode Manual Bracket (Double sided)

Work Conveyor - Inspection

Work Conveyor - Work

Sky Line - Elevator Unit

Sky Line - Connection Conveyor

Pallet Return Line - Elevator Unit

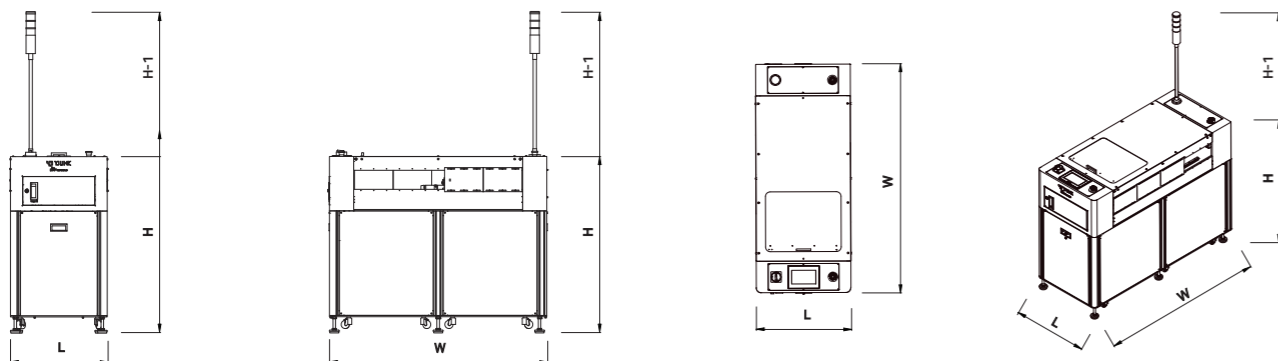
Pallet Return Line - Connection Conveyor

Barcode Scanning Conveyor

# Shuttle Conveyor



This unit can merge a few production lines into a single one or separate one a single line into few multiple ones.



\* Dimension: Based on pass line 950mm. Height may change depending on pass line.

SMT		POST-PROCESS		SIZE	DIMENSION (mm)					WEIGHT (Kg)
CODE No.	MODEL	CODE No.	MODEL		L	W	H	H-1	Stroke	
M-10C-YM4-0501	YSC-1M00	M-50C-YM4-0501	YSC-6M00	M	500	1240	1086	2000	500	156
M-10C-YX4-0501	YSC-1X00	M-50C-YX4-0501	YSC-6X00	X	600	1450	1086	2000	500	205
M-10C-YM4-0502	YSC-1M01	M-50C-YM4-0502	YSC-6M01	M	500	1740	1086	2000	1000	207
M-10C-YX4-0502	YSC-1X01	M-50C-YX4-0502	YSC-6X01	X	600	1950	1086	2000	1000	257
M-10C-YM4-0503	YSC-1M02	M-50C-YM4-0503	YSC-6M02	M	500	2240	1086	2000	1500	274
M-10C-YX4-0503	YSC-1X02	M-50C-YX4-0503	YSC-6X02	X	600	2600	1086	2000	1500	324
M-10C-YM4-0504	YSC-1M03	M-50C-YM4-0504	YSC-6M03	M	500	2740	1086	2000	2000	331
M-10C-YX4-0504	YSC-1X03	M-50C-YX4-0504	YSC-6X03	X	600	3100	1086	2000	2000	381
M-10C-YM4-0505	YSC-1M04	M-50C-YM4-0505	YSC-6M04	M	500	3240	1086	2000	2500	425
M-10C-YX4-0505	YSC-1X04	M-50C-YX4-0505	YSC-6X04	X	600	3600	1086	2000	2500	475
M-10C-YM4-0506	YSC-1M05	M-50C-YM4-0506	YSC-6M05	M	500	3740	1086	2000	3000	447
M-10C-YX4-0506	YSC-1X05	M-50C-YX4-0506	YSC-6X05	X	600	4100	1086	2000	3000	493
M-10C-YM4-0507	YSC-1M06	M-50C-YM4-0507	YSC-6M06	M	500	4240	1086	2000	3500	497
M-10C-YX4-0507	YSC-1X06	M-50C-YX4-0507	YSC-6X06	X	600	4600	1086	2000	3500	547
M-10C-YM4-0508	YSC-1M07	M-50C-YM4-0508	YSC-6M07	M	500	4740	1086	2000	4000	555
M-10C-YX4-0508	YSC-1X07	M-50C-YX4-0508	YSC-6X07	X	600	5100	1086	2000	4000	605

Standard Spec.					
Item	Selectable Standard		Item	Standard	
Line Flow	Left to Right	Right to Left	PCB Thickness (mm)	0.6 ~ 4.0	
Fixed Rail	Front	Rear	PCB Color	Green	
Pass Line (mm)	950±20	900±20	PCB In/Out Sensor	Single sensor	
Voltage & Frequency	220V±(10%) & 50 ~ 60Hz	110V±(10%) & 50 ~ 60Hz	Mode	1 in / 1 out	1 in / 2 out
				2 in / 1 out	2 in / 2 out
PCB Size	M	X	Width Adjustment *	Manual	
Min.PCB (L X W) (mm)	70 X 50		Interface	SMEMA Communication	
Max.PCB (L X W) (mm)	330 X 250	460 X 460	Smema Cable	3m / 1 ea	
Item	Standard		Alarm	Tower lamp (3 color)	
	SMT	POST-PROCESS	Color *	SR RAL 7035 : NON ESD	
PCB Top/Bottom Clearance (mm) *	30 / 25	60 / 60	Sliding Speed	Max. 500 mm/sec	
PCB Edge (mm)	3	5	Electricity Consumption	515W	
PCB Loading Weight (kg)	3	8			
Conveyor Belt	Flat edge belt	Pin Chain			
Conveyor Speed(mm/sec) *	200	100			

Option Spec.			
Item		CODE No.	Option
Conveyor Speed (mm/sec) *	SMT	O-100-HW0-0104	1~200 / Analog / 1ea
	POST-PROCESS		1~100 / Analog / 1ea
Width Adjustment *		O-100-HW0-0205	Auto / 1ea
Double Sensors		O-100-HW0-0607	-
PCB Top/Bottom Clearance (mm) *		O-100-HW0-0900	60 / 60
		O-100-HW0-0901	100 / 100
Add Touch Screen		O-100-HW4-0400	Rear Side
Width Synchronization		O-100-SW0-0200	via RS-485
Line Control		O-200-LC0-0100	Hermes
		O-200-LC0-0200	Smart kit (LAN communication PLC)
Color *		O-400-CO0-0100	ESD powder coating (RAL 7035 / Gray)
Line Control System for Smart Line / MES / Color-NON ESD ▶ Refer to P.114(Common Option Spec.).			

Loader/Unloader Series

Buffer Series

Conveyor Series

Traceability / Post-processing

PCB Cleaner - Vacuum

PCB Cleaner - Vacuum + Sticky roller

Gate Conveyor - Telescope

Gate Conveyor - Down/Up

Vertical Turn

Horizontal Turn

Shuttle Conveyor

NG Conveyor

Connection Conveyor

Connection Conveyor - Cooling

Connection Conveyor-Barcode Manual Bracket (Single sided)

Connection Conveyor-Barcode Manual Bracket (Double sided)

Work Conveyor - Inspection

Work Conveyor - Work

Sky Line - Elevator Unit

Sky Line - Connection Conveyor

Pallet Return Line - Elevator Unit

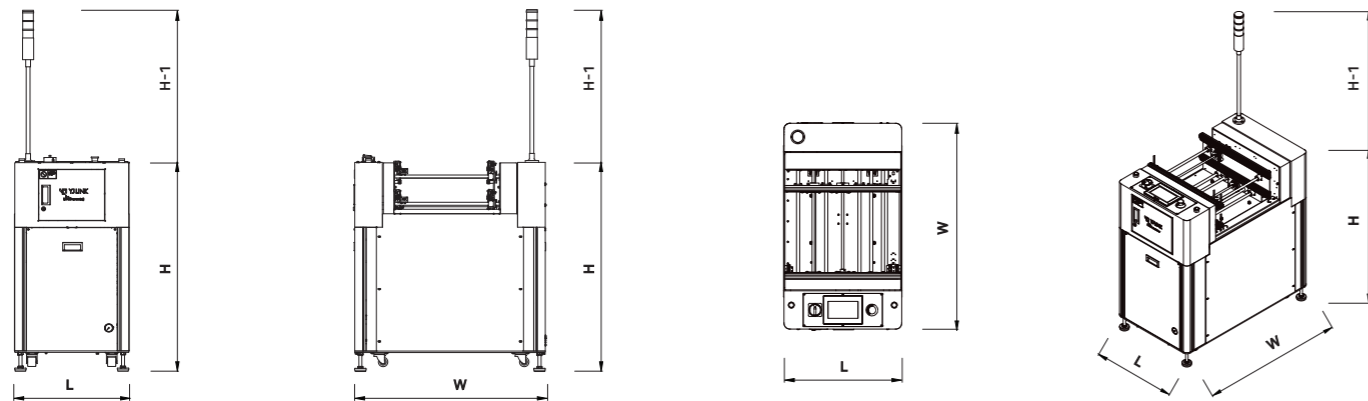
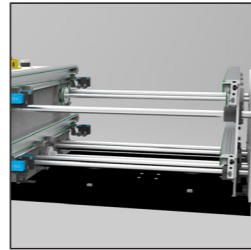
Pallet Return Line - Connection Conveyor

Barcode Scanning Conveyor

# NG Conveyor



This unit automatically separates GOOD boards and NG boards while allowing visual inspection for NG PCBs without any interruption on GOOD board flow.



\* Dimension: Based on pass line 950mm. Height may change depending on pass line.

SMT		POST-PROCESS		SIZE	DIMENSION (mm)				WEIGHT (Kg)
CODE No.	MODEL	CODE No.	MODEL		L	W	H	H-1	
M-10C-YM3-0901	YNC-1M00	M-50C-YM3-0901	YNC-6M00	M	500	920	1098	2000	137
M-10C-YX3-0901	YNC-1X00	M-50C-YX3-0901	YNC-6X00	X	600	1050	1098	2000	179

## Standard Spec.

Item	Selectable Standard		Item	Standard
	Left to Right	Right to Left		
Line Flow	Front	Rear	PCB Thickness (mm)	0.6 ~ 4.0
Fixed Rail	950±20	900±20	PCB Color	Green
Pass Line (mm)	220V±(10%) & 50 ~ 60Hz	110V±(10%) & 50 ~ 60Hz	PCB In/Out Sensor	Single sensor
Voltage & Frequency	M	X	Mode	By pass / Inspection
PCB Size	70 X 50		Length (mm) / Segment (ea)	500 / 1    600 / 1
Min.PCB (L X W) (mm)	330 X 250	460 X 460	Completion Switch	Button Type
Max.PCB (L X W) (mm)	Standard		Width Adjustment *	Manual
Item	SMT	POST-PROCESS	Interface	SMEMA Communication
	PCB Top/Bottom Clearance (mm) *	30 / 25	60 / 60	Smema Cable
PCB Edge (mm)	3	5	Alarm	Tower lamp (3 color)
PCB Loading Weight (kg)	3	8	Color *	SR RAL 7035 : NON ESD
Conveyor Belt	Flat edge belt	Pin Chain	Air Supply	0.5Mpa(5bar)
Conveyor Speed(mm/sec) *	200	100	Air Usage	5.30 ℓ/min
			Electricity Consumption	120W

## Option Spec.

Item	CODE No.	Option
Conveyor Speed (mm/sec) *	O-100-HW0-0104	1~200 / Analog / 2ea
		1~100 / Analog / 2ea
Width Adjustment *	O-100-HW0-0205	Auto / 1ea
Gas Spring Cover	O-100-HW0-0501	-
Double Sensors	O-100-HW0-0607	-
PCB Top/Bottom Clearance (mm) *	O-100-HW0-0900	60 / 60
	O-100-HW0-0901	100 / 100
Multi-speed Controller	O-100-HW3-0400	-
Width Synchronization	O-100-SW0-0200	via RS-485
Line Control	O-200-LC0-0100	Hermes
	O-200-LC0-0200	Smart kit (LAN communication PLC)
Color *	O-400-CO0-0100	ESD powder coating (RAL 7035 / Gray)

Line Control System for Smart Line / MES / Color-NON ESD ▶ Refer to P.114(Common Option Spec.).

Loader/Unloader Series

Buffer Series

Conveyor Series

Traceability / Post-processing

PCB Cleaner - Vacuum

PCB Cleaner - Vacuum + Sticky roller

Gate Conveyor - Telescope

Gate Conveyor - Down/Up

Vertical Turn

Horizontal Turn

Shuttle Conveyor

NG Conveyor

Connection Conveyor

Connection Conveyor - Cooling

Connection Conveyor-Barcode Manual Bracket (Single sided)

Connection Conveyor-Barcode Manual Bracket (Double sided)

Work Conveyor - Inspection

Work Conveyor - Work

Sky Line - Elevator Unit

Sky Line - Connection Conveyor

Pallet Return Line - Elevator Unit

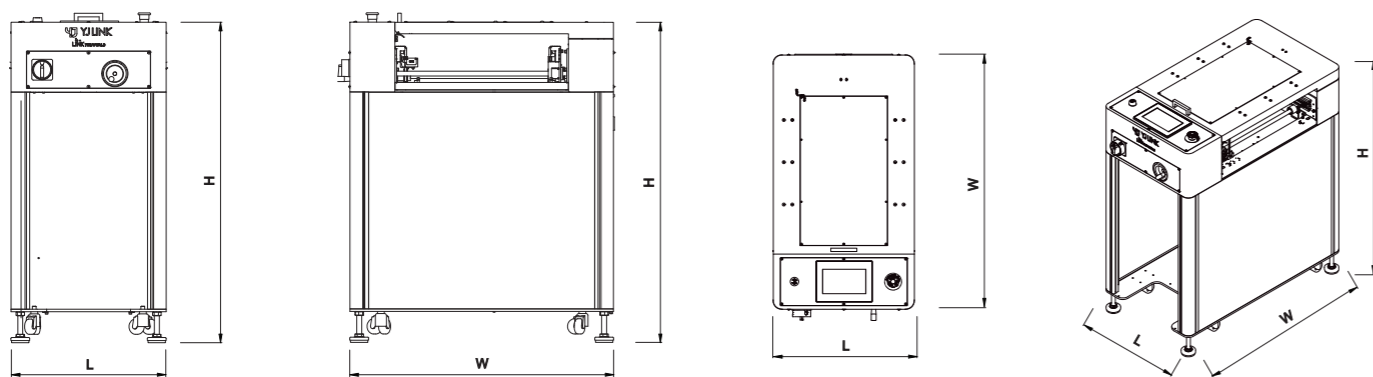
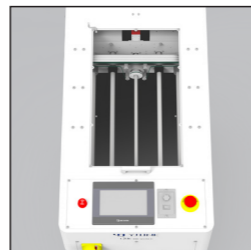
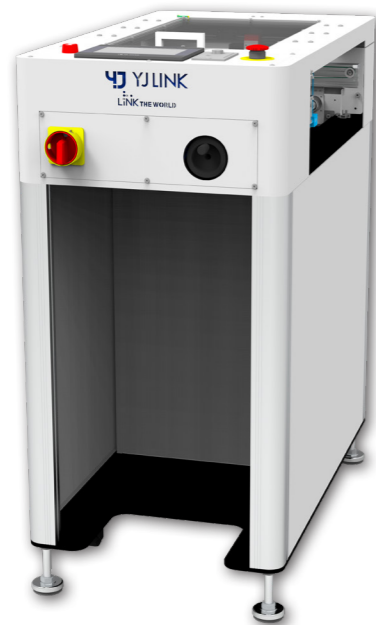
Pallet Return Line - Connection Conveyor

Barcode Scanning Conveyor

# Connection Conveyor



Using SMEMA interface, this unit is able to create links between any SMT machines.



\* Dimension: Based on pass line 950mm. Height may change depending on pass line.

SMT		POST-PROCESS		SIZE	DIMENSION (mm)			WEIGHT (Kg)
CODE No.	MODEL	CODE No.	MODEL		L	W	H	
M-10C-YM3-0101	YCC-1M00	M-50C-YM3-0101	YCC-6M00	M	500	690	1030	90
M-10C-YX3-0101	YCC-1X00	M-50C-YX3-0101	YCC-6X00	X	500	900	1030	110
M-10C-YM3-0102	YCC-1M01	M-50C-YM3-0102	YCC-6M01	M	1000	690	1030	140
M-10C-YX3-0102	YCC-1X01	M-50C-YX3-0102	YCC-6X01	X	1000	900	1030	165

## Standard Spec.

Item	Selectable Standard		Item	Standard
	Left to Right	Right to Left		
Line Flow	Left to Right	Right to Left	PCB Thickness (mm)	0.6 ~ 4.0
Fixed Rail	Front	Rear	PCB Color	Green
Pass Line (mm)	950±20	900±20	PCB In/Out Sensor	Single sensor
Voltage & Frequency	220V±(10%) & 50 ~ 60Hz	110V±(10%) & 50 ~ 60Hz	Mode	By pass
			Length(mm) / Segment (ea)*	500 / 1   1000 / 2
PCB Size	M	X	Programmatically, it is standard to use 1 segment.	
Min.PCB (L X W) (mm)	70 X 50		Top Cover Type	Sliding
Max.PCB (L X W) (mm)	330 X 250	460 X 460	Width Adjustment *	Manual
Item	Standard		Item	Standard
	SMT	POST-PROCESS		
PCB Top/Bottom Clearance (mm) *	30 / 25	60 / 60	Interface	SMEMA Communication
PCB Edge (mm)	3	5	Smema Cable	3m / 1 ea
PCB Loading Weight (kg)	3	8	Alarm	Buzzer
Conveyor Belt	Flat edge belt	Pin Chain	Color *	SR RAL 7035 : NON ESD
Conveyor Speed(mm/sec) *	200	100	Electricity Consumption	80W

## Option Spec.

Item	CODE No.	Option	
		Option	Option
Conveyor Speed (mm/sec) *	O-100-HW0-0104	500(L)mm	1~200 / Analog / 1ea
		1000(L)mm	1~200 / Analog / 2ea
		500(L)mm	1~100 / Analog / 1ea
		1000(L)mm	1~100 / Analog / 2ea
Width Adjustment *	O-100-HW0-0205	Auto / 1ea	
Hinge Cover	O-100-HW0-0401	-	
Gas Spring Cover	O-100-HW0-0501	-	
Double Sensors	O-100-HW0-0607	-	
PCB Top/Bottom Clearance (mm) *	O-100-HW0-0900	60 / 60	
	O-100-HW0-0901	100 / 100	
Tower Lamp	O-100-HW3-0100	3 colors	
Rail Extension (Every 100mm add)	O-100-HW3-0200	Rail extension only	
	O-100-HW3-0300	Rail&Body extension	
Multi-speed Controller	O-100-HW3-0400	-	
Stopper	O-100-HW3-0803	Cylinder	
	O-100-HW3-0805	Plate	
Segment Use *	O-100-HW4-0500	1 or 2 segment selectable	
Intelligent function	O-100-SW0-0100	-	
Width Synchronization	O-100-SW0-0200	via RS-485	
Line Control	O-200-LC0-0100	Hermes	
	O-200-LC0-0200	Smart kit (LAN communication PLC)	
Color *	O-400-CO0-0100	ESD powder coating (RAL 7035 / Gray)	

Line Control System for Smart Line / MES / Color-NON ESD ▶ Refer to P.114(Common Option Spec.).

Loader/Unloader Series

Buffer Series

Conveyor Series

Traceability / Post-processing

PCB Cleaner - Vacuum

PCB Cleaner - Vacuum + Sticky roller

Gate Conveyor - Telescope

Gate Conveyor - Down/Up

Vertical Turn

Horizontal Turn

Shuttle Conveyor

NG Conveyor

Connection Conveyor

Connection Conveyor - Cooling

Connection Conveyor-Barcode Manual Bracket (Single sided)

Connection Conveyor-Barcode Manual Bracket (Double sided)

Work Conveyor - Inspection

Work Conveyor - Work

Sky Line - Elevator Unit

Sky Line - Connection Conveyor

Pallet Return Line - Elevator Unit

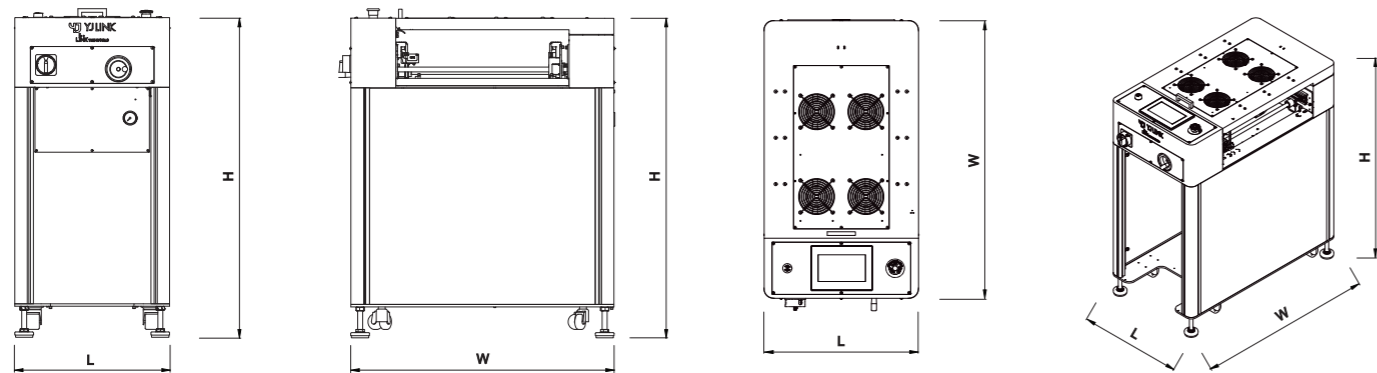
Pallet Return Line - Connection Conveyor

Barcode Scanning Conveyor

# Connection Conveyor - Cooling



This unit links between SMT machines and cools down PCBs behind Oven in SMT line.



\* Dimension: Based on pass line 950mm. Height may change depending on pass line.

SMT		POST-PROCESS		SIZE	DIMENSION (mm)			WEIGHT (Kg)
CODE No.	MODEL	CODE No.	MODEL		L	W	H	
M-10C-YM3-0201	YCC-1M20	M-50C-YM3-0201	YCC-6M20	M	500	690	1030	95
M-10C-YX3-0201	YCC-1X20	M-50C-YX3-0201	YCC-6X20	X	500	900	1030	115
M-10C-YM3-0202	YCC-1M21	M-50C-YM3-0202	YCC-6M21	M	1000	690	1030	145
M-10C-YX3-0202	YCC-1X21	M-50C-YX3-0202	YCC-6X21	X	1000	900	1030	175

## Standard Spec.

Item	Selectable Standard		Item	Standard
	Left to Right	Right to Left		
Line Flow	Left to Right	Right to Left	PCB Thickness (mm)	0.6 ~ 4.0
Fixed Rail	Front	Rear	PCB Color	Green
Pass Line (mm)	950±20	900±20	PCB In/Out Sensor	Single sensor
Voltage & Frequency	220V±(10%) & 50 ~ 60Hz	110V±(10%) & 50 ~ 60Hz	Mode	By pass
			Length(mm) / Segment (ea)*	500 / 1   1000 / 2
PCB Size	M	X	Programmatically, it is standard to use 1 segment.	
Min.PCB (L X W) (mm)	70 X 50		120pi Cooling Fans (ea)	4   8
Max.PCB (L X W) (mm)	330 X 250	460 X 460	Top Cover Type	Sliding
Item	Standard		Item	Standard
	SMT	POST-PROCESS		
PCB Top/Bottom Clearance (mm) *	30 / 25	60 / 60	Width Adjustment *	Manual
PCB Edge (mm)	3	5	Interface	SMEMA Communication
PCB Loading Weight (kg)	3	8	Smema Cable	3m / 1 ea
Conveyor Belt	Flat edge belt	Pin Chain	Alarm	Buzzer
Conveyor Speed(mm/sec) *	200	100	Color *	SR RAL 7035 : NON ESD
			Electricity Consumption	256W

## Option Spec.

Item	CODE No.	Option	
		Option 1	Option 2
Conveyor Speed (mm/sec) *	O-100-HW0-0104	500(L)mm	1~200 / Analog / 1ea
		1000(L)mm	1~200 / Analog / 2ea
		500(L)mm	1~100 / Analog / 1ea
		1000(L)mm	1~100 / Analog / 2ea
Width Adjustment *	O-100-HW0-0205	Auto / 1ea	
Gas Spring Cover	O-100-HW0-0501	-	
Double Sensors	O-100-HW0-0607	-	
PCB Top/Bottom Clearance (mm) *	O-100-HW0-0900	60 / 60	
	O-100-HW0-0901	100 / 100	
Tower Lamp	O-100-HW3-0100	3 colors	
Rail Extension (Every 100mm add)	O-100-HW3-0200	Rail extension only	
	O-100-HW3-0300	Rail&Body extension	
Multi-speed Controller	O-100-HW3-0400	-	
Stopper	O-100-HW3-0803	Cylinder	
	O-100-HW3-0805	Plate	
Segment Use *	O-100-HW4-0500	1 or 2 segment selectable	
Intelligent function	O-100-SW0-0100	-	
Width Synchronization	O-100-SW0-0200	via RS-485	
Line Control	O-200-LC0-0100	Hermes	
	O-200-LC0-0200	Smart kit (LAN communication PLC)	
Color *	O-400-CO0-0100	ESD powder coating (RAL 7035 / Gray)	

Line Control System for Smart Line / MES / Color-NON ESD ▶ Refer to P.114(Common Option Spec.).

Loader/Unloader Series

Buffer Series

Conveyor Series

Traceability / Post-processing

PCB Cleaner - Vacuum

PCB Cleaner - Vacuum + Sticky roller

Gate Conveyor - Telescope

Gate Conveyor - Down/Up

Vertical Turn

Horizontal Turn

Shuttle Conveyor

NG Conveyor

Connection Conveyor

Connection Conveyor - Cooling

Connection Conveyor-Barcode Manual Bracket (Single sided)

Connection Conveyor-Barcode Manual Bracket (Double sided)

Work Conveyor - Inspection

Work Conveyor - Work

Sky Line - Elevator Unit

Sky Line - Connection Conveyor

Pallet Return Line - Elevator Unit

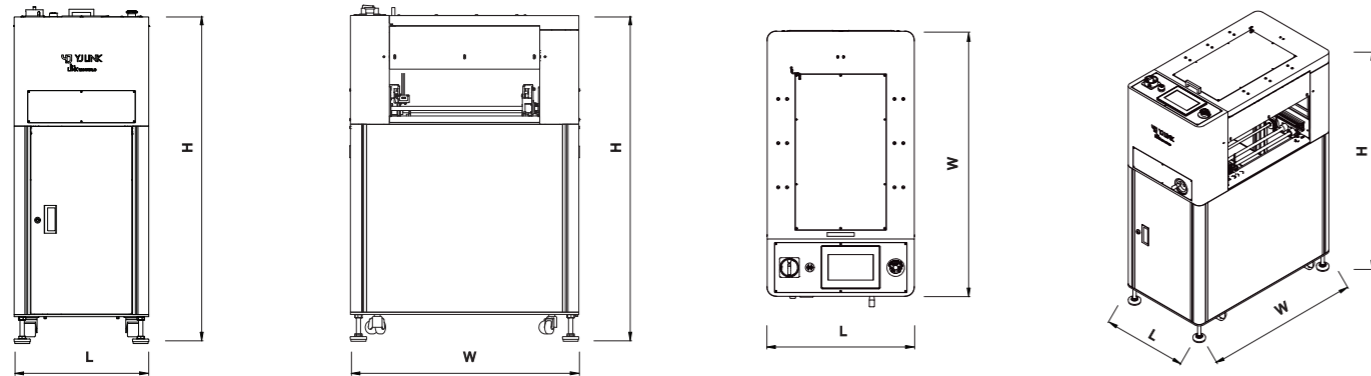
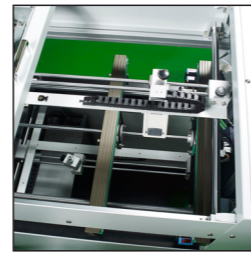
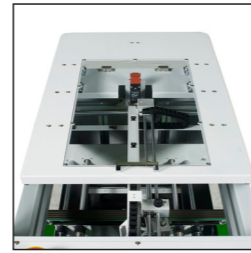
Pallet Return Line - Connection Conveyor

Barcode Scanning Conveyor

# Barcode Manual Bracket | Connection Conveyor - (Single sided)



This unit has manual scanner bracket inside, which is necessary for reading 1D/2D codes of labelling or marking.



\* Dimension: Based on pass line 950mm. Height may change depending on pass line.

SMT		SIZE	DIMENSION (mm)			WEIGHT (Kg)
CODE No.	MODEL		L	W	H	
M-10C-YM3-0301	YCC-1M40	M	500	690	1273	100
M-10C-YX3-0301	YCC-1X40	X	500	900	1273	120
M-10C-YM3-0302	YCC-1M41	M	1000	690	1273	130
M-10C-YX3-0302	YCC-1X41	X	1000	900	1273	150

Standard Spec.				
Item	Selectable Standard		Item	Standard
Line Flow	Left to Right	Right to Left	PCB Thickness (mm)	0.6 ~ 4.0
Fixed Rail	Front	Rear	PCB Color	Green
Pass Line (mm)	950±20	900±20	PCB In/Out Sensor	Single sensor
Voltage & Frequency	220V±(10%) & 50 ~ 60Hz	110V±(10%) & 50 ~ 60Hz	Mode	By pass
			Length(mm) / Segment (ea)*	500 / 1    1000 / 2
PCB Size	M	X	Programmatically, it is standard to use 1 segment.	
Min.PCB (L X W) (mm)	70 X 50		Top Cover Type	Sliding
Max.PCB (L X W) (mm)	330 X 250	460 X 460	Scanner Bracket Position	Top    Bottom
Item	Standard			
PCB Top/Bottom Clearance (mm) *	30 / 25			
PCB Edge (mm)	3			
PCB Loading Weight (kg)	3			
Conveyor Belt	Flat edge belt			
Conveyor Speed(mm/sec) *	200			
Width Adjustment *	Manual			
Interface	SMEMA Communication			
Smema Cable	3m / 1 ea			
Alarm	Buzzer			
Color *	SR RAL 7035 : NON ESD			
Electricity Consumption	80W			

Option Spec.		
Item	CODE No.	Option
Conveyor Speed (mm/sec) *	O-100-HW0-0104	500(L)mm    1~200 / Analog / 1ea
		1000(L)mm    1~200 / Analog / 2ea
Width Adjustment *	O-100-HW0-0205	Auto / 1ea
Gas Spring Cover	O-100-HW0-0501	-
Double Sensors	O-100-HW0-0607	-
PCB Top/Bottom Clearance (mm) *	O-100-HW0-0900	60 / 60
	O-100-HW0-0901	100 / 100
Tower Lamp	O-100-HW3-0100	3 colors
Rail Extension (Every 100mm add)	O-100-HW3-0200	Rail extension only
	O-100-HW3-0300	Rail&Body extension
Multi-speed Controller	O-100-HW3-0400	-
Stopper	O-100-HW3-0803	Cylinder
	O-100-HW3-0805	Plate
Segment Use *	O-100-HW4-0500	1 or 2 segment selectable
Intelligent function	O-100-SW0-0100	-
Width Synchronization	O-100-SW0-0200	via RS-485
Scanner Connection	O-100-SW0-0400	via RS-232
Trigger	O-100-SW0-0500	-
Trigger+Read / No read	O-100-SW0-0600	-
Line Control	O-200-LC0-0100	Hermes
	O-200-LC0-0200	Smart kit (LAN communication PLC)
Color *	O-400-CO0-0100	ESD powder coating (RAL 7035 / Gray)

Line Control System for Smart Line / MES / Color-NON ESD ▶ Refer to P.114(Common Option Spec.).

Loader/Unloader Series

Buffer Series

Conveyor Series

Traceability / Post-processing

PCB Cleaner - Vacuum

PCB Cleaner - Vacuum + Sticky roller

Gate Conveyor - Telescope

Gate Conveyor - Down/Up

Vertical Turn

Horizontal Turn

Shuttle Conveyor

NG Conveyor

Connection Conveyor

Connection Conveyor - Cooling

Connection Conveyor-Barcode Manual Bracket (Single sided)

Connection Conveyor-Barcode Manual Bracket (Double sided)

Work Conveyor - Inspection

Work Conveyor - Work

Sky Line - Elevator Unit

Sky Line - Connection Conveyor

Pallet Return Line - Elevator Unit

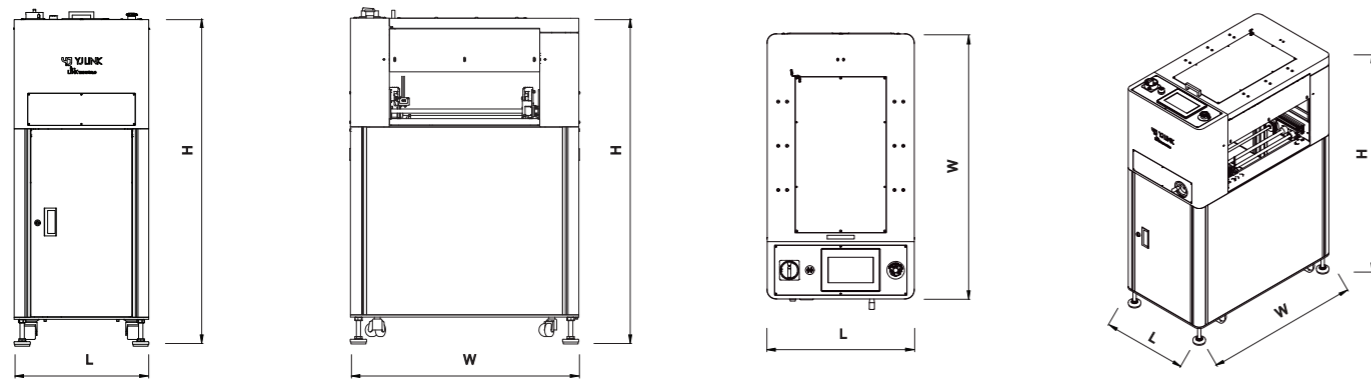
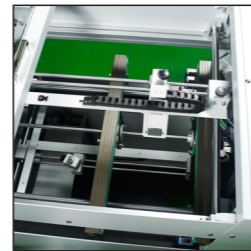
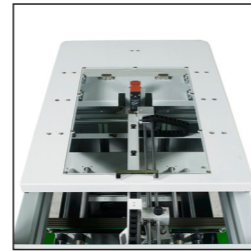
Pallet Return Line - Connection Conveyor

Barcode Scanning Conveyor

# Barcode Manual Bracket | Connection Conveyor - (Double sided)



This unit has manual scanner bracket inside, which is necessary for reading 1D/2D codes of labelling or marking.



\* Dimension: Based on pass line 950mm. Height may change depending on pass line.

SMT		SIZE	DIMENSION (mm)			WEIGHT (Kg)
CODE No.	MODEL		L	W	H	
M-10C-YM3-0401	YCC-1M50	M	500	690	1273	105
M-10C-YX3-0401	YCC-1X50	X	500	900	1273	125
M-10C-YM3-0402	YCC-1M51	M	1000	690	1273	135
M-10C-YX3-0402	YCC-1X51	X	1000	900	1273	155

Standard Spec.					
Item	Selectable Standard		Item	Standard	
Line Flow	Left to Right	Right to Left	PCB Thickness (mm)	0.6 ~ 4.0	
Fixed Rail	Front	Rear	PCB Color	Green	
Pass Line (mm)	950±20	900±20	PCB In/Out Sensor	Single sensor	
Voltage & Frequency	220V±(10%) & 50 ~ 60Hz	110V±(10%) & 50 ~ 60Hz	Mode	By pass	
			Length(mm) / Segment (ea)*	500 / 1   1000 / 2	
PCB Size	M	X	Programmatically, it is standard to use 1 segment.		
Min.PCB (L X W) (mm)	70 X 50		Top Cover Type	Sliding	
Max.PCB (L X W) (mm)	330 X 250	460 X 460	Scanner Bracket Position	Both	
Item	Standard			Item	
PCB Top/Bottom Clearance (mm) *	30 / 25			Width Adjustment *	Manual
PCB Edge (mm)	3			Interface	SMEMA Communication
PCB Loading Weight (kg)	3			Smema Cable	3m / 1 ea
Conveyor Belt	Flat edge belt			Alarm	Buzzer
Conveyor Speed(mm/sec) *	200			Color *	SR RAL 7035 : NON ESD
			Electricity Consumption	80W	

Option Spec.		
Item	CODE No.	Option
Conveyor Speed (mm/sec) *	O-100-HW0-0104	500(L)mm   1~200 / Analog / 1ea
		1000(L)mm   1~200 / Analog / 2ea
Width Adjustment *	O-100-HW0-0205	Auto / 1ea
Gas Spring Cover	O-100-HW0-0501	-
Double Sensors	O-100-HW0-0607	-
PCB Top/Bottom Clearance (mm) *	O-100-HW0-0900	60 / 60
	O-100-HW0-0901	100 / 100
Tower Lamp	O-100-HW3-0100	3 colors
Rail Extension (Every 100mm add)	O-100-HW3-0200	Rail extension only
	O-100-HW3-0300	Rail&Body extension
Multi-speed Controller	O-100-HW3-0400	-
Stopper	O-100-HW3-0803	Cylinder
	O-100-HW3-0805	Plate
Segment Use *	O-100-HW4-0500	1 or 2 segment selectable
Intelligent function	O-100-SW0-0100	-
Width Synchronization	O-100-SW0-0200	via RS-485
Scanner Connection	O-100-SW0-0400	via RS-232
Trigger	O-100-SW0-0500	-
Trigger+Read / No read	O-100-SW0-0600	-
Line Control	O-200-LC0-0100	Hermes
	O-200-LC0-0200	Smart kit (LAN communication PLC)
Color *	O-400-CO0-0100	ESD powder coating (RAL 7035 / Gray)

Line Control System for Smart Line / MES / Color-NON ESD ▶ Refer to P.114(Common Option Spec.).

Loader/Unloader Series

Buffer Series

Conveyor Series

Traceability / Post-processing

PCB Cleaner - Vacuum

PCB Cleaner - Vacuum + Sticky roller

Gate Conveyor - Telescope

Gate Conveyor - Down/Up

Vertical Turn

Horizontal Turn

Shuttle Conveyor

NG Conveyor

Connection Conveyor

Connection Conveyor - Cooling

Connection Conveyor-Barcode Manual Bracket (Single sided)

Connection Conveyor-Barcode Manual Bracket (Double sided)

Work Conveyor - Inspection

Work Conveyor - Work

Sky Line - Elevator Unit

Sky Line - Connection Conveyor

Pallet Return Line - Elevator Unit

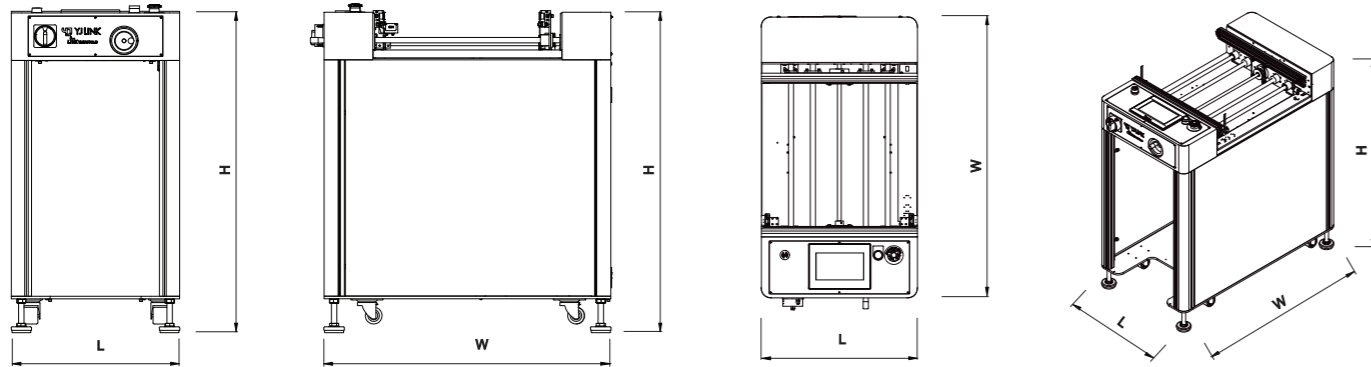
Pallet Return Line - Connection Conveyor

Barcode Scanning Conveyor

# Work Conveyor - Inspection



This unit links SMT machine and allows inspection on PCBs.



\* Dimension: Based on pass line 950mm. Height may change depending on pass line.

SMT		POST-PROCESS		SIZE	DIMENSION (mm)			WEIGHT (Kg)
CODE No.	MODEL	CODE No.	MODEL		L	W	H	
M-10C-YM3-0701	YWC-1M00	M-50C-YM3-0701	YWC-6M00	M	500	690	949	85
M-10C-YX3-0701	YWC-1X00	M-50C-YX3-0701	YWC-6X00	X	500	900	949	97
M-10C-YM3-0702	YWC-1M01	M-50C-YM3-0702	YWC-6M01	M	1000	690	949	125
M-10C-YX3-0702	YWC-1X01	M-50C-YX3-0702	YWC-6X01	X	1000	900	949	150
M-10C-YM3-0703	YWC-1M02	M-50C-YM3-0703	YWC-6M02	M	1500	690	949	200
M-10C-YX3-0703	YWC-1X02	M-50C-YX3-0703	YWC-6X02	X	1500	900	949	215

Standard Spec.				
Item	Selectable Standard		Item	Standard
Line Flow	Left to Right	Right to Left	PCB Thickness (mm)	0.6 ~ 4.0
Fixed Rail	Front	Rear	PCB Color	Green
Pass Line (mm)	950±20	900±20	PCB In/Out Sensor	Single sensor
Voltage & Frequency	220V±(10%) & 50 ~ 60Hz	110V±(10%) & 50 ~ 60Hz	Mode	By pass / Inspection
			Length(mm) / Segment (ea)*	500 / 1   1000 / 2   1500 / 3
PCB Size	M	X	Programmatically, it is standard to use 1 segment.	
Min.PCB (L X W) (mm)	70 X 50		Inspection Segment	In   Center   Out
Max.PCB (L X W) (mm)	330 X 250	460 X 460	Completion Switch	Button Type
Item	Standard		Width Adjustment *	Manual
	SMT	POST-PROCESS	Interface	SMEMA Communication
PCB Top/Bottom Clearance (mm) *	30 / 25	60 / 60	Smema Cable	3m / 1 ea
PCB Edge (mm)	3	5	Alarm	Buzzer
PCB Loading Weight (kg)	3	8	Color *	SR RAL 7035 : NON ESD
Conveyor Belt	Flat edge belt	Pin Chain	Electricity Consumption	80W
Conveyor Speed(mm/sec) *	200	100		

Option Spec.				
Item		CODE No.	Option	
Conveyor Speed (mm/sec) *	SMT	O-100-HW0-0104	500(L)mm	1~200 / Analog / 1ea
			1000(L)mm	1~200 / Analog / 2ea
			1500(L)mm	1~200 / Analog / 3ea
	POST-PROCESS		500(L)mm	1~100 / Analog / 1ea
			1000(L)mm	1~100 / Analog / 2ea
			1500(L)mm	1~100 / Analog / 3ea
Width Adjustment *		O-100-HW0-0205	Auto / 1ea	
Hinge Cover		O-100-HW0-0401	-	
Gas Spring Cover		O-100-HW0-0501	-	
Double Sensors		O-100-HW0-0607	-	
PCB Top/Bottom Clearance (mm) *		O-100-HW0-0900	60 / 60	
		O-100-HW0-0901	100 / 100	
Tower Lamp		O-100-HW3-0100	3 colors	
Rail Extension (Every 100mm add)		O-100-HW3-0200	Rail extension only	
		O-100-HW3-0300	Rail&Body extension	
Multi-speed Controller		O-100-HW3-0400	-	
Working Table		O-100-HW3-0700	-	
Stopper		O-100-HW3-0803	Cylinder	
		O-100-HW3-0805	Plate	
Segment Use *		O-100-HW4-0500	1 or 2 segment selectable	
		O-100-HW4-0600	1 or 3 segment selectable	
Intelligent function		O-100-SW0-0100	-	
Width Synchronization		O-100-SW0-0200	via RS-485	
Line Control		O-200-LC0-0100	Hermes	
		O-200-LC0-0200	Smart kit (LAN communication PLC)	
Color *		O-400-CO0-0100	ESD powder coating (RAL 7035 / Gray)	

Line Control System for Smart Line / MES / Color-NON ESD ▶ Refer to P.114(Common Option Spec.).

Loader/Unloader Series

Buffer Series

Conveyor Series

Traceability / Post-processing

PCB Cleaner - Vacuum

PCB Cleaner - Vacuum + Sticky roller

Gate Conveyor - Telescope

Gate Conveyor - Down/Up

Vertical Turn

Horizontal Turn

Shuttle Conveyor

NG Conveyor

Connection Conveyor

Connection Conveyor - Cooling

Connection Conveyor-Barcode Manual Bracket (Single sided)

Connection Conveyor-Barcode Manual Bracket (Double sided)

Work Conveyor - Inspection

Work Conveyor - Work

Sky Line - Elevator Unit

Sky Line - Connection Conveyor

Pallet Return Line - Elevator Unit

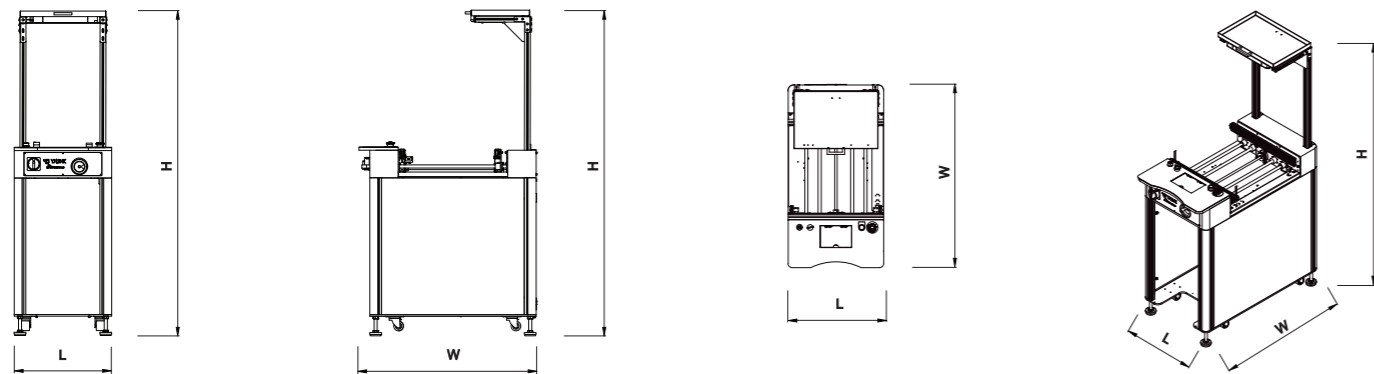
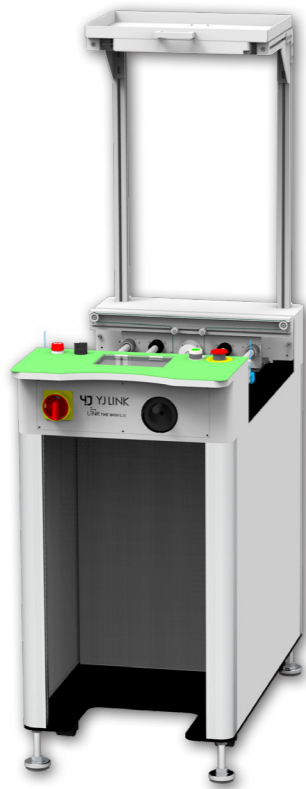
Pallet Return Line - Connection Conveyor

Barcode Scanning Conveyor

# Work Conveyor - Work



This unit links SMT machine and allows inspection on PCBs.



\* Dimension: Based on pass line 950mm. Height may change depending on pass line.

SMT		POST-PROCESS		SIZE	DIMENSION (mm)			WEIGHT (Kg)
CODE No.	MODEL	CODE No.	MODEL		L	W	H	
M-10C-YM3-0801	YWC-1M20	M-50C-YM3-0801	YWC-6M20	M	500	745	1665	95
M-10C-YX3-0801	YWC-1X20	M-50C-YX3-0801	YWC-6X20	X	500	955	1665	107
M-10C-YM3-0802	YWC-1M21	M-50C-YM3-0802	YWC-6M21	M	1000	745	1665	135
M-10C-YX3-0802	YWC-1X21	M-50C-YX3-0802	YWC-6X21	X	1000	955	1665	160
M-10C-YM3-0803	YWC-1M22	M-50C-YM3-0803	YWC-6M22	M	1500	745	1665	210
M-10C-YX3-0803	YWC-1X22	M-50C-YX3-0803	YWC-6X22	X	1500	955	1665	225

## Standard Spec.

Item	Selectable Standard		Item	Standard		
	Left to Right	Right to Left				
Line Flow	Left to Right	Right to Left	PCB Thickness (mm)	0.6 ~ 4.0		
Fixed Rail	Front	Rear	PCB Color	Green		
Pass Line (mm)	950±20	900±20	PCB In/Out Sensor	Single sensor		
Voltage & Frequency	220V±(10%) & 50 ~ 60Hz	110V±(10%) & 50 ~ 60Hz	Mode	By pass / Inspection		
			Length(mm) / Segment (ea)*	500 / 1	1000 / 2	1500 / 3
PCB Size	M	X	Programmatically, it is standard to use 1 segment.			
Min.PCB (L X W) (mm)	70 X 50		Inspection Segment	In	Center	Out
Max.PCB (L X W) (mm)	330 X 250	460 X 460	Completion Switch	Button Type		
Item	Standard		Item	Standard		
	SMT	POST-PROCESS				
PCB Top/Bottom Clearance (mm) *	30 / 25	60 / 60	Working Accessory	Illumination + Shelf		
PCB Edge (mm)	3	5	Working Table(mm)	200		
PCB Loading Weight (kg)	3	8	Width Adjustment *	Manual		
Conveyor Belt	Flat edge belt	Pin Chain	Interface	SMEMA Communication		
Conveyor Speed(mm/sec) *	200	100	Smema Cable	3m / 1 ea		
			Alarm	Buzzer		
			Color *	SR RAL 7035 : NON ESD		
			Electricity Consumption	90W		

## Option Spec.

Item	CODE No.	Option	
Conveyor Speed (mm/sec) *	O-100-HW0-0104	500(L)mm	1~200 / Analog / 1ea
		1000(L)mm	1~200 / Analog / 2ea
		1500(L)mm	1~200 / Analog / 3ea
		500(L)mm	1~100 / Analog / 1ea
		1000(L)mm	1~100 / Analog / 2ea
		1500(L)mm	1~100 / Analog / 3ea
Width Adjustment *	O-100-HW0-0205	Auto / 1ea	
Gas Spring Cover	O-100-HW0-0501	-	
Double Sensors	O-100-HW0-0607	-	
PCB Top/Bottom Clearance (mm) *	O-100-HW0-0900	60 / 60	
	O-100-HW0-0901	100 / 100	
Tower Lamp	O-100-HW3-0100	3 colors	
Rail Extension (Every 100mm add)	O-100-HW3-0200	Rail extension only	
	O-100-HW3-0300	Rail&Body extension	
Multi-speed Controller	O-100-HW3-0400	-	
Stopper	O-100-HW3-0803	Cylinder	
	O-100-HW3-0805	Plate	
Segment Use *	O-100-HW4-0500	1 or 2 segment selectable	
	O-100-HW4-0600	1 or 3 segment selectable	
Intelligent function	O-100-SW0-0100	-	
Width Synchronization	O-100-SW0-0200	via RS-485	
Line Control	O-200-LC0-0100	Hermes	
	O-200-LC0-0200	Smart kit (LAN communication PLC)	
Color *	O-400-CO0-0100	ESD powder coating (RAL 7035 / Gray)	

Line Control System for Smart Line / MES / Color-NON ESD ▶ Refer to P.114(Common Option Spec.).

Loader/Unloader Series

Buffer Series

Conveyor Series

Traceability / Post-processing

PCB Cleaner - Vacuum

PCB Cleaner - Vacuum + Sticky roller

Gate Conveyor - Telescope

Gate Conveyor - Down/Up

Vertical Turn

Horizontal Turn

Shuttle Conveyor

NG Conveyor

Connection Conveyor

Connection Conveyor - Cooling

Connection Conveyor-Barcode Manual Bracket (Single sided)

Connection Conveyor-Barcode Manual Bracket (Double sided)

Work Conveyor - Inspection

Work Conveyor - Work

Sky Line - Elevator Unit

Sky Line - Connection Conveyor

Pallet Return Line - Elevator Unit

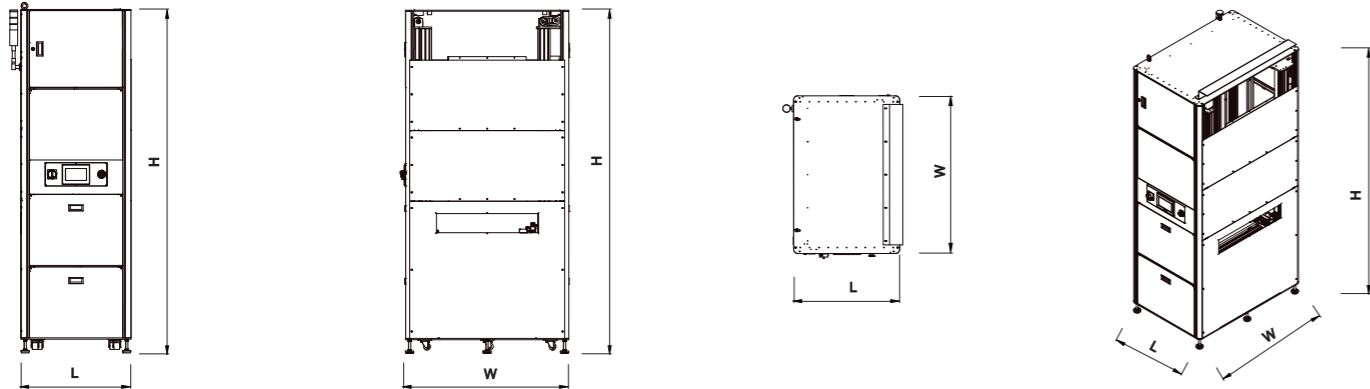
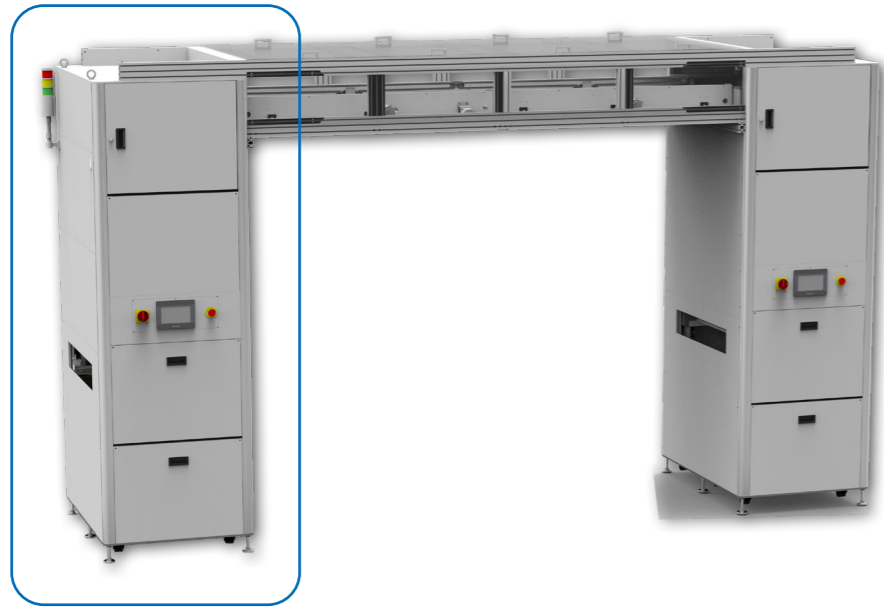
Pallet Return Line - Connection Conveyor

Barcode Scanning Conveyor

# Sky Line - Elevator Unit



The sky line can be used for operators' passage in SMT lines.



\* Dimension: Based on pass line 950mm. Height may change depending on pass line.

SMT		SIZE	DIMENSION (mm)			WEIGHT (Kg)
CODE No.	MODEL		L	W	H	
M-10C-YM4-0601	YEU-1M00	M	600	830	~2000	220
M-10C-YX4-0601	YEU-1X00	X	860	1040	~2000	240
M-10C-YM4-0602	YEU-1M01	M	600	830	~2500	250
M-10C-YX4-0602	YEU-1X01	X	860	1040	~2500	270

## Standard Spec.

Item	Selectable Standard		Item	Standard
	Left to Right	Right to Left		
Line Flow	Left to Right	Right to Left	PCB Loading Weight (kg)	3
Fixed Rail	Front	Rear	Conveyor Belt *	Flat edge belt
Pass Line (mm)	950±20	900±20	Conveyor Speed(mm/sec)	200
Voltage & Frequency	220V±(10%) & 50 ~ 60Hz	110V±(10%) & 50 ~ 60Hz	PCB Thickness (mm)	0.6 ~ 4.0
			PCB Color	Green
PCB Size	M	X	PCB In/Out Sensor	Single sensor
Min.PCB (L X W) (mm)	70 X 50		Width Adjustment *	Manual
Max.PCB (L X W) (mm)	330 X 250	460 X 460	Interface	SMEMA Communication
Item	Standard		Smema Cable	3m / 1 ea
PCB Top/Bottom Clearance (mm) *	30 / 25		Alarm	Tower lamp (3 color)
PCB Edge (mm)	3		Color *	SR RAL 7035 : NON ESD
			Electricity Consumption	300W

## Option Spec.

Item	CODE No.	Option
Conveyor Speed (mm/sec) *	O-100-HW0-0104	1~200 / Analog / 1ea
Width Adjustment *	O-100-HW0-0205	Auto / 1ea
Double Sensors	O-100-HW0-0607	-
PCB Top/Bottom Clearance (mm) *	O-100-HW0-0900	60 / 60
	O-100-HW0-0901	100 / 100
Conveyor Belt *	O-100-HW0-1001	Pin Chain - Per 1000mm
High Speed Lifter	O-100-HW4-0200	Servo Motor Driven
Width Synchronization	O-100-SW0-0200	via RS-485
Line Control	O-200-LC0-0100	Hermes
	O-200-LC0-0200	Smart kit (LAN communication PLC)
Color *	O-400-CO0-0100	ESD powder coating (RAL 7035 / Gray)

Line Control System for Smart Line / MES / Color-NON ESD ▶ Refer to P.114(Common Option Spec.).

Loader/Unloader Series

Buffer Series

Conveyor Series

Traceability / Post-processing

PCB Cleaner - Vacuum

PCB Cleaner - Vacuum + Sticky roller

Gate Conveyor - Telescope

Gate Conveyor - Down/Up

Vertical Turn

Horizontal Turn

Shuttle Conveyor

NG Conveyor

Connection Conveyor

Connection Conveyor - Cooling

Connection Conveyor-Barcode Manual Bracket (Single sided)

Connection Conveyor-Barcode Manual Bracket (Double sided)

Work Conveyor - Inspection

Work Conveyor - Work

Sky Line - Elevator Unit

Sky Line - Connection Conveyor

Pallet Return Line - Elevator Unit

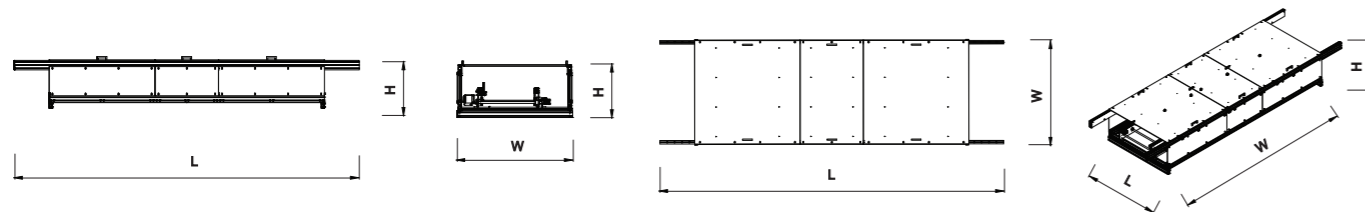
Pallet Return Line - Connection Conveyor

Barcode Scanning Conveyor

# Sky Line - Connection Conveyor



The sky line can be used for operators' passage in SMT lines.



\* Dimension: Based on pass line 950mm. Height may change depending on pass line.

SMT		SIZE	DIMENSION (mm)			WEIGHT (Kg)
CODE No.	MODEL		L	W	H	
M-10C-YM3-0504	YCC-1M60	M	~ 2000	780	404	150
M-10C-YX3-0504	YCC-1X60	X	~ 2000	990	404	180

### Standard Spec.

Item	Selectable Standard		Item	Standard
	Left to Right	Right to Left		
Line Flow	Left to Right	Right to Left	PCB Loading Weight (kg)	3
Fixed Rail	Front	Rear	Conveyor Belt *	Flat edge belt
Pass Line (mm)	950±20	900±20	Conveyor Speed(mm/sec) *	200
Voltage & Frequency	220V±(10%) & 50 ~ 60Hz	110V±(10%) & 50 ~ 60Hz	PCB Thickness (mm)	0.6 ~ 4.0
			PCB Color	Green
PCB Size	M	X	PCB In/Out Sensor	Single sensor
Min.PCB (L X W) (mm)	70 X 50		Mode	By pass
Max.PCB (L X W) (mm)	330 X 250	460 X 460	Length (mm) / Segment (ea)	2000 / 2
Item	Standard		Item	Standard
PCB Top/Bottom Clearance (mm)	30 / 25			
PCB Edge (mm)	3		Electricity Consumption	80W

### Option Spec.

Item	CODE No.	Option
Conveyor Speed (mm/sec) *	O-100-HW0-0104	1~200 / Analog / 2ea
Width Adjustment *	O-100-HW0-0205	Auto
	O-100-HW0-0900	60 / 60
PCB Top/Bottom Clearance (mm) *	O-100-HW0-0901	100 / 100
Conveyor Belt *	O-100-HW0-1001	Pin Chain - Per 1000mm
Add Segment	O-100-HW3-1000	-

Loader/Unloader Series

Buffer Series

Conveyor Series

Traceability / Post-processing

PCB Cleaner - Vacuum

PCB Cleaner - Vacuum + Sticky roller

Gate Conveyor - Telescope

Gate Conveyor - Down/Up

Vertical Turn

Horizontal Turn

Shuttle Conveyor

NG Conveyor

Connection Conveyor

Connection Conveyor - Cooling

Connection Conveyor-Barcode Manual Bracket (Single sided)

Connection Conveyor-Barcode Manual Bracket (Double sided)

Work Conveyor - Inspection

Work Conveyor - Work

Sky Line - Elevator Unit

Sky Line - Connection Conveyor

Pallet Return Line - Elevator Unit

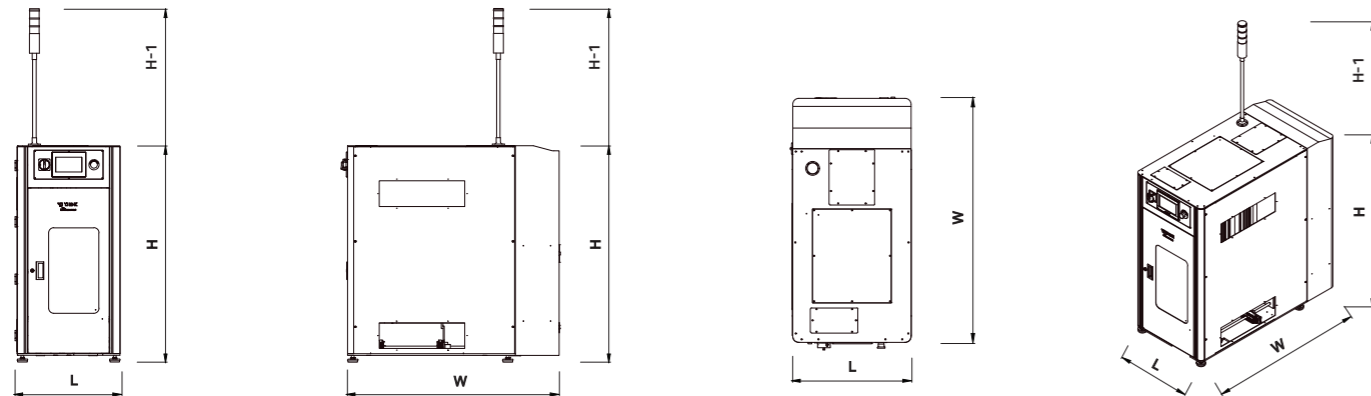
Pallet Return Line - Connection Conveyor

Barcode Scanning Conveyor

# Pallet Return Line - Elevator Unit



The pallet return line provides automated return of empty pallets. It is completely automated with PLC control and can convey pallets efficiently and fast.



\* Dimension: Based on pass line 950mm. Height may change depending on pass line.

POST-PROCESS		SIZE	DIMENSION (mm)				WEIGHT (Kg)
CODE No.	MODEL		L	W	H	H-1	
M-50C-YX4-0700	YEU-6X10	X	600	1236	1300	2000	160

### Standard Spec.

Item	Selectable Standard		Item	Standard
	Left to Right	Right to Left		
Line Flow	Left to Right	Right to Left	PCB Loading Weight (kg)	8
Fixed Rail	Front	Rear	Conveyor Belt	Pin Chain
Pass Line (mm)	950±20	900±20	Conveyor Speed(mm/sec)	100
Voltage & Frequency	220V±(10%) & 50 ~ 60Hz	110V±(10%) & 50 ~ 60Hz	PCB Thickness (mm)	0.6 ~ 4.0
	X		PCB Color	Green
PCB Size	X		PCB In/Out Sensor	Single sensor
Min.PCB (L X W) (mm)	70 X 50		Width Adjustment *	Manual
Max.PCB (L X W) (mm)	460 X 460		Interface	SMEMA Communication
Item	Standard - POST-PROCESS		Smema Cable	3m / 1 ea
	60 / 60		Alarm	Tower lamp (3 color)
PCB Top/Bottom Clearance (mm) *	60 / 60		Color *	SR RAL 7035 : NON ESD
PCB Edge (mm)	5		Electricity Consumption	200W

### Option Spec.

Item	CODE No.	Option
Conveyor Speed (mm/sec) *	O-100-HW0-0104	1~100 / Analog / 1ea
Width Adjustment *	O-100-HW0-0205	Auto / 1ea
PCB Top/Bottom Clearance (mm) *	O-100-HW0-0901	100 / 100
High Speed Lifter	O-100-HW4-0200	Servo motor driven
Width Synchronization	O-100-SW0-0200	via RS-485
Line Control	O-200-LC0-0100	Hermes
	O-200-LC0-0200	Smart kit (LAN communication PLC)
Color *	O-400-CO0-0100	ESD powder coating (RAL 7035 / Gray)

Line Control System for Smart Line / MES / Color-NON ESD ▶ Refer to P.114(Common Option Spec.).

Loader/Unloader Series

Buffer Series

Conveyor Series

Traceability / Post-processing

PCB Cleaner - Vacuum

PCB Cleaner - Vacuum + Sticky roller

Gate Conveyor - Telescope

Gate Conveyor - Down/Up

Vertical Turn

Horizontal Turn

Shuttle Conveyor

NG Conveyor

Connection Conveyor

Connection Conveyor - Cooling

Connection Conveyor-Barcode Manual Bracket (Single sided)

Connection Conveyor-Barcode Manual Bracket (Double sided)

Work Conveyor - Inspection

Work Conveyor - Work

Sky Line - Elevator Unit

Sky Line - Connection Conveyor

Pallet Return Line - Elevator Unit

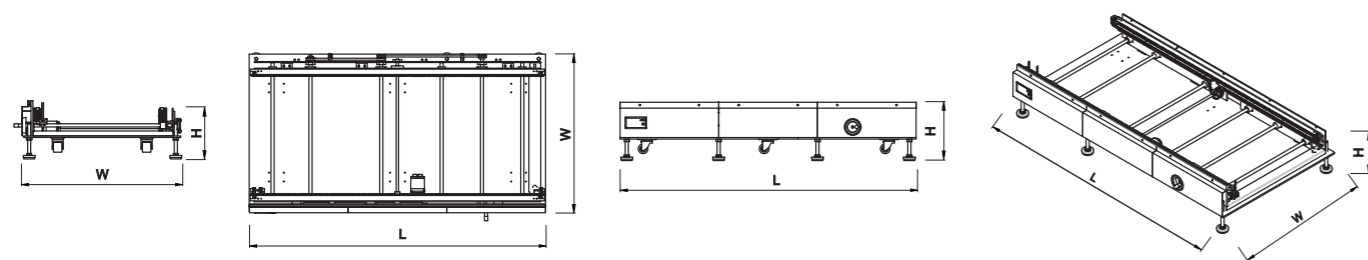
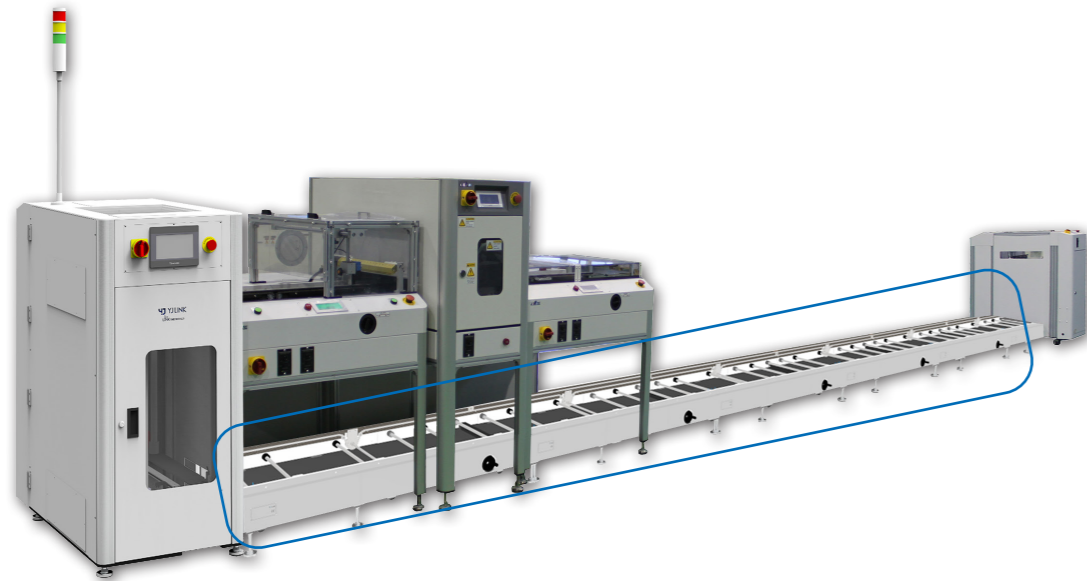
Pallet Return Line - Connection Conveyor

Barcode Scanning Conveyor

# Pallet Return Line - Connection Conveyor



The pallet return line provides automated return of empty pallets. It is completely automated with PLC control and can convey pallets efficiently and fast.



\* Dimension: Based on pass line 950mm. Height may change depending on pass line.

POST-PROCESS		SIZE	DIMENSION (mm)			WEIGHT (Kg)
CODE No.	MODEL		L	W	H	
M-50C-YX3-0607	YCC-6X71	X	~ 1500	653	300	150

Standard Spec.			Item	Standard - POST-PROCESS
Line Flow	Left to Right	Right to Left	PCB Loading Weight (kg)	8
Fixed Rail	Front	Rear	Conveyor Belt	Pin Chain
Pass Line (mm)	950±20	900±20	Conveyor Speed(mm/sec) *	100
Voltage & Frequency	220V±(10%) & 50 ~ 60Hz	110V±(10%) & 50 ~ 60Hz	PCB Thickness (mm)	0.6 ~ 4.0
			PCB Color	Green
PCB Size	X		PCB In/Out Sensor	Single sensor
Min.PCB (L X W) (mm)	70 X 50		Mode	By pass
Max.PCB (L X W) (mm)	460 X 460		Length (mm) / Segment (ea)	1500 / 1
Item	Standard - POST-PROCESS		Item	Standard - POST-PROCESS
PCB Top/Bottom Clearance (mm)	30 / 25		Width Adjustment *	Manual
PCB Edge (mm)	5		Max. Bottom Clearance (mm)	300
			Min. Bottom Clearance (mm)	190 (No caster)
			Electricity Consumption	180W

Option Spec.		
Item	CODE No.	Option
Conveyor Speed (mm/sec) *	O-100-HW0-0104	1~100 / Analog / 1ea
Width Adjustment *	O-100-HW0-0205	Auto
	O-100-HW0-0900	60 / 60
PCB Top/Bottom Clearance (mm) *	O-100-HW0-0901	100 / 100
Add Segment	O-100-HW3-1000	-

Loader/Unloader Series

Buffer Series

Conveyor Series

Traceability / Post-processing

PCB Cleaner - Vacuum

PCB Cleaner - Vacuum + Sticky roller

Gate Conveyor - Telescope

Gate Conveyor - Down/Up

Vertical Turn

Horizontal Turn

Shuttle Conveyor

NG Conveyor

Connection Conveyor

Connection Conveyor - Cooling

Connection Conveyor-Barcode Manual Bracket (Single sided)

Connection Conveyor-Barcode Manual Bracket (Double sided)

Work Conveyor - Inspection

Work Conveyor - Work

Sky Line - Elevator Unit

Sky Line - Connection Conveyor

Pallet Return Line - Elevator Unit

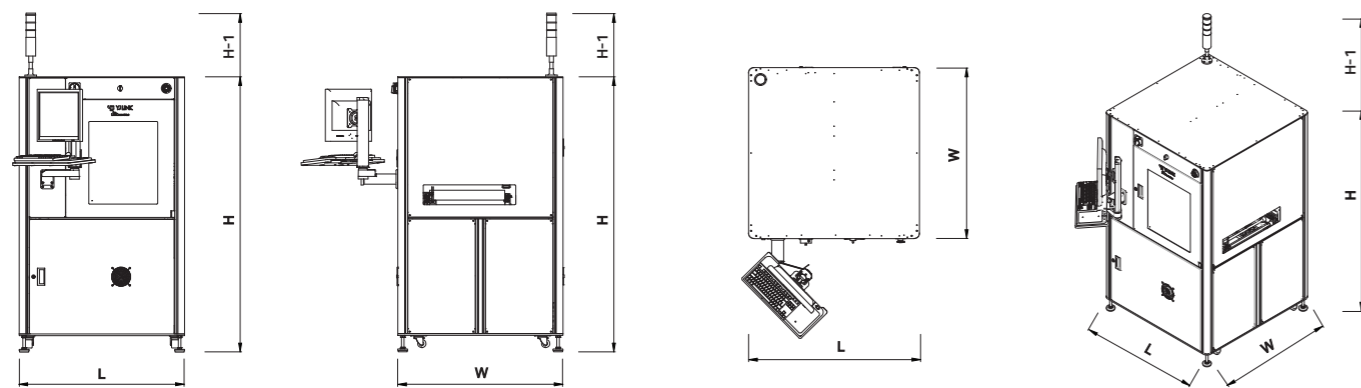
Pallet Return Line - Connection Conveyor

Barcode Scanning Conveyor

# Barcode Scanning Conveyor



Positioned at the rear end of the laser or the labeller, the Scanning Conveyor is designed to scan barcodes(1D/2D).



\* Dimension: Based on pass line 950mm. Height may change depending on pass line.

SMT		TYPE	SIZE	DIMENSION (mm)				WEIGHT (Kg)
CODE No.	MODEL			L	W	H	H-1	
M-30C-YX5-9001	YBS-1X00	Single side	X	1000	1000	1665	2000	400
M-30C-YX5-9002	YBS-1X01	Both side	X	1000	1000	1665	2000	450

## Standard Spec.

Item	Selectable Standard		Item	Standard
Line Flow	Left to Right	Right to Left	PCB Thickness (mm)	0.6 ~ 4.0
Fixed Rail	Front	Rear	PCB Color	Green
Pass Line (mm)	950±20	900±20	PCB In/Out Sensor	Single sensor
Voltage & Frequency	220V±(10%) & 50 ~ 60Hz		Scanner	Cognex DM60X
PCB Size	X		Scanner Auto Position	Top   Bottom   Both
Min.PCB (L X W) (mm)	70 X 50		Width Adjustment	Auto
Max.PCB (L X W) (mm)	460 X 460		Interface	SMEMA Communication
Item	Standard		Smema Cable	3m / 1ea
PCB Top/Bottom Clearance (mm)	30 / 25		Alarm	Tower Lamp (3 Colors)
PCB Edge (mm)	3		Color *	SR RAL 7035 : NON ESD
PCB Loading Weight(kg)	3		Air Supply	0.5Mpa (5bar)
Conveyor Belt	Flat edge belt		Air Usage	0.5 ℓ/min
Conveyor Speed(mm/sec)	200		Electricity Consumption	0.5kw

## Option Spec.

Item	CODE No.	Option
Conveyor Speed (mm/sec) *	O-100-HW0-0104	1~200 / Analog / 1ea
PCB Top/Bottom Clearance (mm) *	O-100-HW0-0900	60 / 60
	O-100-HW0-0901	100 / 100
Width Synchronization	O-100-SW0-0200	via RS-232
Color *	O-400-CO0-0100	ESD powder coating (RAL 7035 / Gray)
Line Control System for Smart Line / MES / Color-NON ESD ▶ Refer to P.114(Common Option Spec.).		

Loader/Unloader Series

Buffer Series

Conveyor Series

Traceability / Post-processing

PCB Cleaner - Vacuum

PCB Cleaner - Vacuum + Sticky roller

Gate Conveyor - Telescope

Gate Conveyor - Down/Up

Vertical Turn

Horizontal Turn

Shuttle Conveyor

NG Conveyor

Connection Conveyor

Connection Conveyor - Cooling

Connection Conveyor-Barcode Manual Bracket (Single sided)

Connection Conveyor-Barcode Manual Bracket (Double sided)

Work Conveyor - Inspection

Work Conveyor - Work

Sky Line - Elevator Unit

Sky Line - Connection Conveyor

Pallet Return Line - Elevator Unit

Pallet Return Line - Connection Conveyor

Barcode Scanning Conveyor

# Traceability / Post-processing SERIES

Marking machine	NOVLUX Laser Marking Machine - CO2	.....	P. 100
	NOVLUX Laser Marking Machine - Hybrid	.....	P. 102
Routing machine	ARMAS Router - Bronze	.....	P. 104
	ARMAS Router - Silver	.....	P. 106
	ARMAS Router - Platinum	.....	P. 108
Reject verification	VISPLO Reject Verification System	.....	P. 110



➤ NOVLUX Laser Marking Machine - CO2



➤ NOVLUX Laser Marking Machine - Hybrid



➤ ARMAS Router - Bronze



➤ ARMAS Router - Silver



➤ ARMAS Router - Platinum

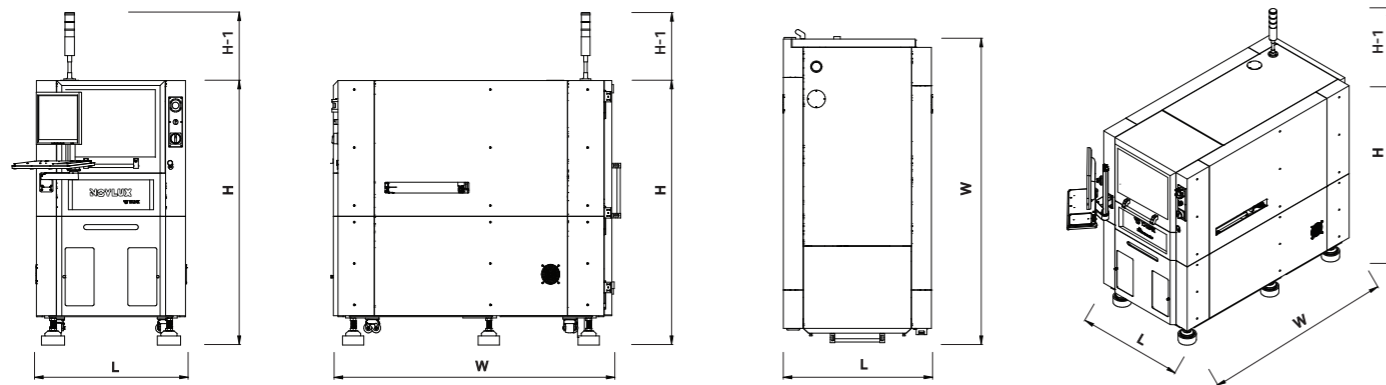
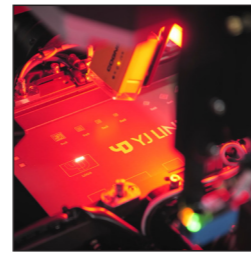
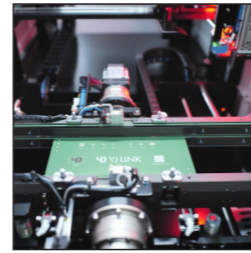


➤ VISPLO Reject Verification System

# NOVLUX Laser Marking Machine - CO2



Laser Marking Machine engraves 1D/2D barcodes, logos, and characters on the surface of a PCB or an object without physical or chemical damage. The laser head performs its marking by adjusting its own height in the Z axis according to the height of the object.



\* Dimension: Based on pass line 950mm. Height may change depending on pass line.

SMT		TYPE	SIZE	DIMENSION (mm)				WEIGHT (Kg)
CODE No.	MODEL			L	W	H	H-1	
M-30C-YM5-4003	YLM-1M00	CO2	M	800	1778	1600	2000	550
M-30C-YX5-4003	YLM-1X00	CO2	X	900	1927	1600	2000	580

### Standard Spec.

Item	Selectable Standard		Item	Standard
Line Flow	Left to Right	Right to Left	Laser Head	KEYENCE 30W
Fixed Rail	Front	Rear	Moving System	X, Y-axes Head Moving
Pass Line (mm)	950±20	900±20	Marking	Double Sided Marking
Voltage & Frequency	220V±(10%) & 50 ~ 60Hz		Scanner	Cognex
PCB Size	M	X	Fume Collector	Separate inquiry
Min.PCB (L X W) (mm)	70 X 50		Program	DOT NET
Max.PCB (L X W) (mm)	330 X 250	460 X 460	Position Correction	Fiducial Recognition
Item	Standard		Width Adjustment	Auto
PCB Top/Bottom Clearance (mm)	30 / 30		Interface	SMEMA Communication
PCB Edge (mm)	3		Smema Cable	3m / 1ea
PCB Loading Weight(kg)	3		Alarm	Tower Lamp (3 Colors)
Conveyor Belt	Flat edge belt		Color *	SR RAL 7035 : NON ESD
Conveyor Speed(mm/sec)	500		Air Supply	0.5Mpa (5bar)
PCB Thickness (mm)	0.6 ~ 4.0		Air Usage	30 ℓ/min
PCB Color	Green		Electricity Consumption	Laser 1.5 kw
PCB In/Out Sensor	Single sensor			Extractor 1.1 kw

### Option Spec.

Item	CODE No.	Option
Ionizer	O-100-HW5-0100	PANASONIC
Marking Grade	O-100-HW5-0200	-
Marking Power Detector	O-100-HW5-0300	-
Multi LED	O-100-HW5-0400	-
HASL Fiducial Recognition	O-100-HW5-0500	Added camera
UPS	O-100-HW5-2200	-
Width Synchronization	O-100-SW0-0200	via RS-232
Color *	O-400-CO0-0100	ESD powder coating (RAL 7035 / Gray)

Line Control System for Smart Line / MES / Color-NON ESD ▶ Refer to P.114(Common Option Spec.).

\* Laser Head Warranty period : 8,000 hours

\* Relative X/Y accuracy: ±250µm @5sigma (additional cost is incurred for absolute marking accuracy)

Loader/Unloader Series

Buffer Series

Conveyor Series

Traceability / Post-processing

NOVLUX Laser Marking Machine - CO2

NOVLUX Laser Marking Machine - Hybrid

ARMAS Router - Bronze

ARMAS Router - Silver

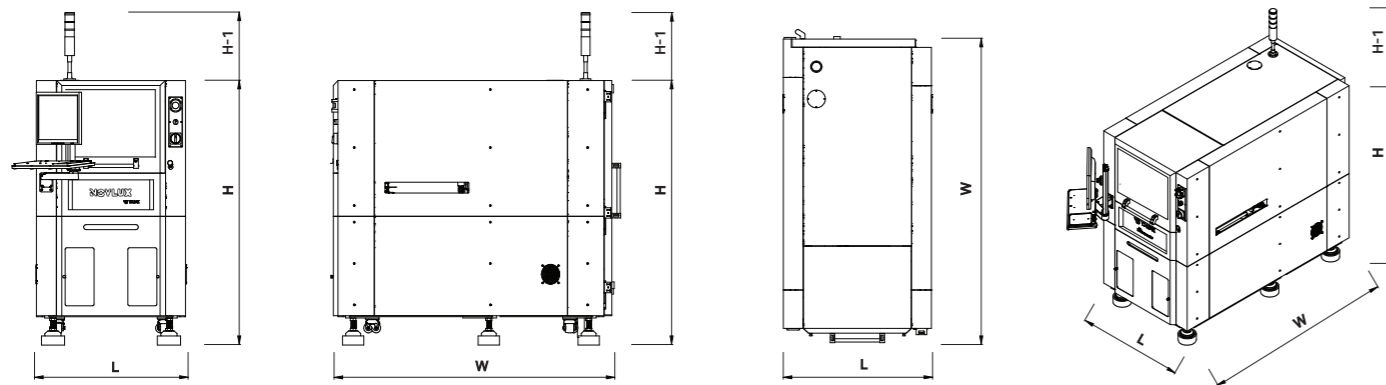
ARMAS Router - Platinum

VISPLO Reject Verification System

# NOVLUX Laser Marking Machine - Hybrid



Laser Marking Machine engraves 1D/2D barcodes, logos, and characters on the surface of a PCB or an object without physical or chemical damage. The laser head performs its marking by adjusting its own height in the Z axis according to the height of the object.



\* Dimension: Based on pass line 950mm. Height may change depending on pass line.

SMT		TYPE	SIZE	DIMENSION (mm)				WEIGHT (Kg)
CODE No.	MODEL			L	W	H	H-1	
M-30C-YX5-4004	YLM-1X10	Hybrid	X	1050	1977	1600	2000	700

### Standard Spec.

Item	Selectable Standard		Item	Standard	
Line Flow	Left to Right	Right to Left	Laser Head	KEYENCE 13W	
Fixed Rail	Front	Rear	Moving System	X, Y-axes Stage Moving	
Pass Line (mm)	950±20	900±20	Marking	Double Sided Marking	
Voltage & Frequency	220V±(10%) & 50 ~ 60Hz		Scanner	Cognex	
PCB Size	X		Fume Collector	Separate inquiry	
Min.PCB (L X W) (mm)	70 X 50		Program	DOT NET	
Max.PCB (L X W) (mm)	460 X 460		Position Correction	Fiducial Recognition	
Item	Standard		Width Adjustment	Auto	
PCB Top/Bottom Clearance (mm)	30 / 30		Interface	SMEMA Communication	
PCB Edge (mm)	3		Smema Cable	3m / 1ea	
PCB Loading Weight(kg)	3		Alarm	Tower Lamp (3 Colors)	
Conveyor Belt	Flat edge belt		Color *	SR RAL 7035 : NON ESD	
Conveyor Speed(mm/sec)	500		Air Supply	0.5Mpa (5bar)	
PCB Thickness (mm)	0.6 ~ 4.0		Air Usage	30 ℓ/min	
PCB Color	Green		Electricity Consumption	Laser	2.4 kw
PCB In/Out Sensor	Single sensor			Extractor	1.1 kw

### Option Spec.

Item	CODE No.	Option
Ionizer	O-100-HW5-0100	PANASONIC
Marking Grade	O-100-HW5-0200	-
Marking Power Detector	O-100-HW5-0300	-
Multi LED	O-100-HW5-0400	-
HASL Fiducial Recognition	O-100-HW5-0500	Added camera
UPS	O-100-HW5-2200	-
Width Synchronization	O-100-SW0-0200	via RS-232
Color *	O-400-CO0-0100	ESD powder coating (RAL 7035 / Gray)
Line Control System for Smart Line / MES / Color-NON ESD ▶ Refer to P.114(Common Option Spec.).		

\* Laser Head Warranty period : 8,000 hours

\* Relative X/Y accuracy: ±250µm @5sigma (additional cost is incurred for absolute marking accuracy)

Loader/Unloader Series

Buffer Series

Conveyor Series

Traceability / Post-processing

NOVLUX Laser Marking Machine - CO2

NOVLUX Laser Marking Machine - Hybrid

ARMAS Router - Bronze

ARMAS Router - Silver

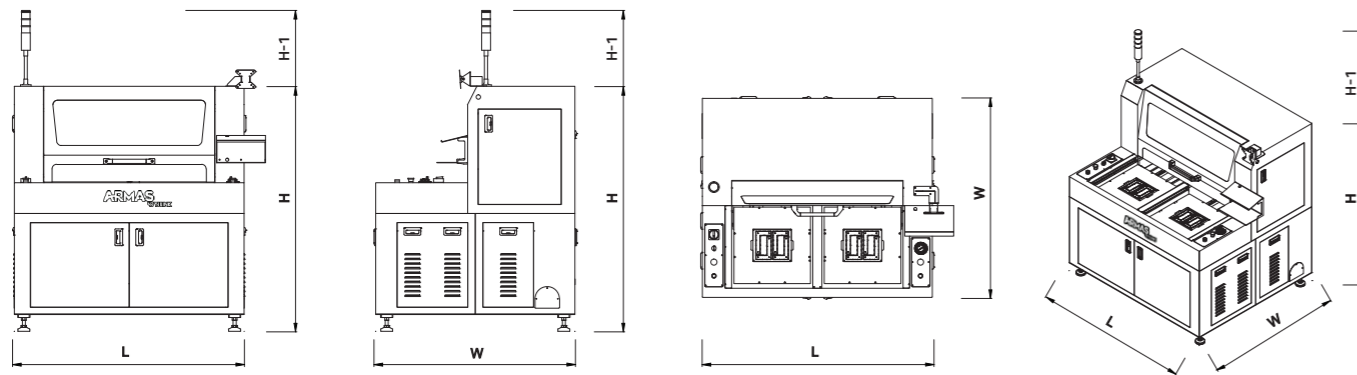
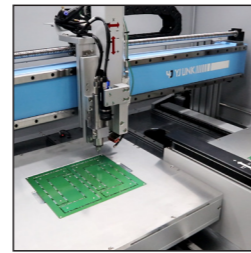
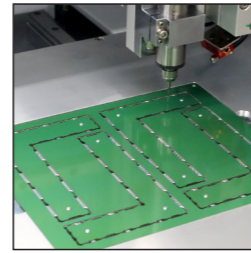
ARMAS Router - Platinum

VISPLO Reject Verification System

# ARMAS Router - Bronze



A machine for depaneling PCBs, the ARMAS Router rotates the drill bit at a high speed routing through the contour of the PCB freely.



\* Dimension: Based on pass line 950mm. Height may change depending on pass line.

SMT		TYPE	SIZE	DIMENSION (mm)				WEIGHT (Kg)
CODE No.	MODEL			L	W	H	H-1	
M-30C-YX5-8001	YRM-1X00	Bronze	X	1500	1300	1600	2000	860

### Standard Spec.

Item	Selectable Standard		Item	Standard
Pass Line (mm)	950±20	900±20	Controller	PC based
Voltage & Frequency	220V±(10%) & 50 ~ 60Hz		Safety Sensor	Light Curtain
PCB Size	X		Ionizer	IZN10E-1106
JIG (LXW) (mm)	500 X 500		Vision Camera	MV-CE013-50GM
Max.PCB (L X W) (mm)	460 X 460		Dust Collector *	Separate inquiry
Item	Standard		Alarm	Tower Lamp (3 Colors)
PCB Top Clearance (mm)	35		Color *	SR RAL 7035 : NON ESD + Doosan Dark Gray
PCB Thickness (mm)	0.6 ~ 4.0		Air Supply	0.5 Mpa
Spindle Motor *	Nakanishi EM30-S6000		Air Usage	150 ℓ/min
Spindle(ea)	1		Electricity Consumption	4kw
JIG table(ea)	2			
Bit	Multi stage control, Damage detection			
Gantry	Servo Motors	X, Y, Z pitch axes		
	Repeatability	±0.03mm		
	Configuration	X1, Y1, Y2, Z1 (X : X-axis Spindle / Y : Y-axis JIG / Z : Z-axis Spindle)		

### Option Spec.

Item	CODE No.	Option
Spindle Motor *	O-100-HW5-1600	SycoTec 4025
Barcode Reading	O-100-HW5-1700	-
Fiducial Recognition	O-100-HW5-1800	-
Interlock with Robot-Arm	O-100-HW5-1901	I/O
	O-100-HW5-1902	RS-232
	O-100-HW5-1903	Ethernet
Spindle Monitoring System	O-100-HW5-2000	-
JIG **	-	2pcs=1set
UPS	O-100-HW5-2200	-
Dust Collector *	O-100-HW5-2601	Dust bag type (ECM-2PB)
Color *	O-400-C00-0100	ESD powder coating (RAL 7035 / Gray)

Line Control System for Smart Line / MES / Color-NON ESD ▶ Refer to P.114(Common Option Spec.).

\*\* Please consult our sales representative for the price of the JIG, as it varies depending on the PCB information.

\*\*\* For correct guidance of quotation and manufacturing process, the below information is needed.

1. Panel PCB 2D drawing (DWG, DWX)
2. Panel PCB 3D drawing with all components (STP file)

\* Before the actual manufacturing process, a Panel PCBA sample is needed.

Loader/Unloader Series

Buffer Series

Conveyor Series

Traceability / Post-processing

NOVLUX Laser Marking Machine - CO2

NOVLUX Laser Marking Machine - Hybrid

ARMAS Router - Bronze

ARMAS Router - Silver

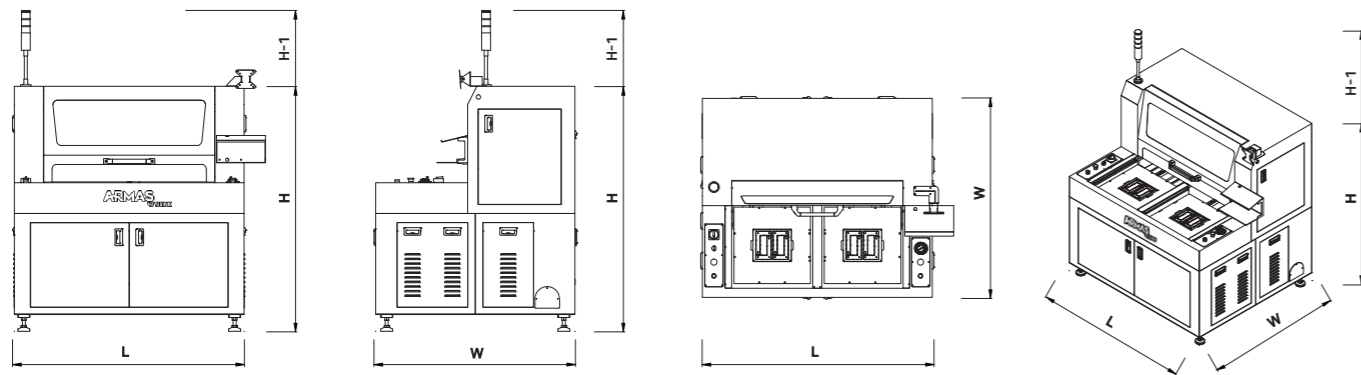
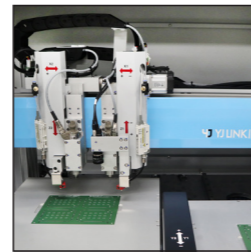
ARMAS Router - Platinum

VISPLO Reject Verification System

# ARMAS Router - Silver



A machine for depaneling PCBs, the ARMAS Router rotates the drill bit at a high speed routing through the contour of the PCB freely.



\* Dimension: Based on pass line 950mm. Height may change depending on pass line.

SMT		TYPE	SIZE	DIMENSION (mm)				WEIGHT (Kg)
CODE No.	MODEL			L	W	H	H-1	
M-30C-YX5-8002	YRM-1X10	Silver	X	1700	1300	1600	2000	930

### Standard Spec.

Item	Selectable Standard	Item	Standard
Pass Line (mm)	950±20   900±20	Controller	PC based
Voltage & Frequency	220V±(10%) & 50 ~ 60Hz	Safety Sensor	Light Curtain
PCB Size	X	Ionizer	IZN10E-1106
JIG (LXW) (mm)	500 X 500	Vision Camera	MV-CE013-50GM
Max.PCB (L X W) (mm)	460 X 460	Dust Collector *	Separate inquiry
Item	Standard	Alarm	Tower Lamp (3 Colors)
PCB Top Clearance (mm)	35	Color *	SR RAL 7035 : NON ESD + Doosan Dark Gray
PCB Thickness (mm)	0.6 ~ 4.0	Air Supply	0.5 Mpa
Spindle Motor *	SycoTec 4025	Air Usage	150 ℓ/min
Spindle(ea)	2	Electricity Consumption	5kw
JIG table(ea)	2		
Bit	Multi stage control, Damage detection		
Gantry	Servo Motors	X, Y, Z pitch axes	
	Repeatability	±0.03mm	
	Configuration	X1, X2, Y1, Y2, Z1 (X : X-axis Spindle / Y : Y-axis JIG / Z : Z-axis Spindle)	

### Option Spec.

Item	CODE No.	Option
Barcode Reading	O-100-HW5-1700	-
Fiducial Recognition	O-100-HW5-1800	-
Interlock with Robot-Arm	O-100-HW5-1901	I/O
	O-100-HW5-1902	RS-232
	O-100-HW5-1903	Ethernet
Spindle Monitoring System	O-100-HW5-2000	-
JIG **	-	2pcs=1set
UPS	O-100-HW5-2200	-
Dust Collector *	O-100-HW5-2601	Dust bag type (ECM-2PB)
Color *	O-400-CO0-0100	ESD powder coating (RAL 7035 / Gray)

Line Control System for Smart Line / MES / Color-NON ESD ▶ Refer to P.114(Common Option Spec.).

\*\* Please consult our sales representative for the price of the JIG, as it varies depending on the PCB information.

\*\*\* For correct guidance of quotation and manufacturing process, the below information is needed.

1. Panel PCB 2D drawing (DWG, DWX)
2. Panel PCB 3D drawing with all components (STP file)

\* Before the actual manufacturing process, a Panel PCBA sample is needed.

Loader/Unloader Series

Buffer Series

Conveyor Series

Traceability / Post-processing

NOVLUX Laser Marking Machine - CO2

NOVLUX Laser Marking Machine - Hybrid

ARMAS Router - Bronze

ARMAS Router - Silver

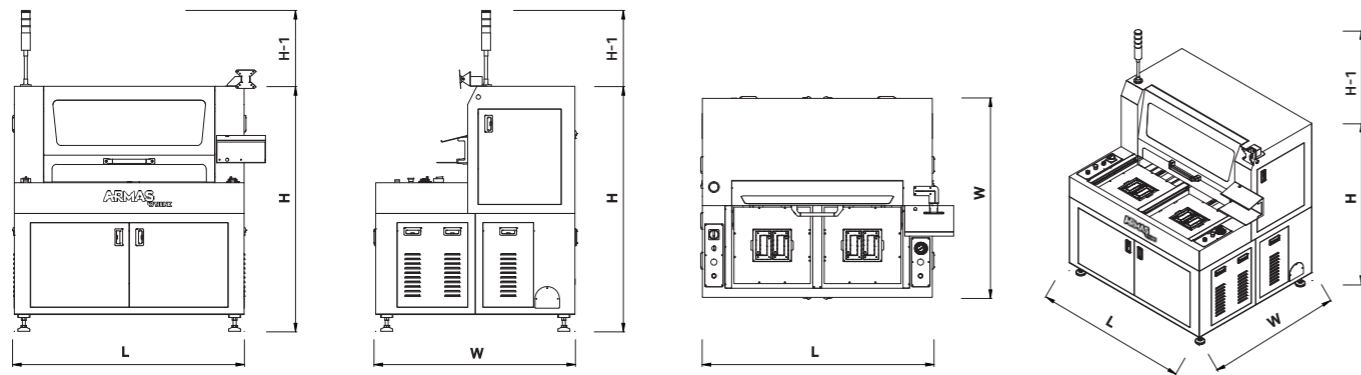
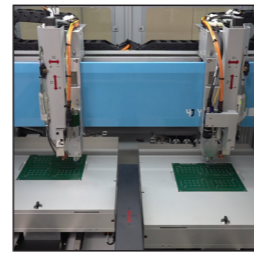
ARMAS Router - Platinum

VISPLO Reject Verification System

# ARMAS Router - Platinum



A machine for depaneling PCBs, the ARMAS Router rotates the drill bit at a high speed routing through the contour of the PCB freely.



\* Dimension: Based on pass line 950mm. Height may change depending on pass line.

SMT		TYPE	SIZE	DIMENSION (mm)				WEIGHT (Kg)
CODE No.	MODEL			L	W	H	H-1	
M-30C-YM5-8003	YRM-1M20	Platinum	M	1100	1500	1635	2000	860
M-30C-YX5-8003	YRM-1X20	Platinum	X	1500	1340	1600	2000	980

### Standard Spec.

Item	Selectable Standard		Item	Standard	
Pass Line (mm)	950±20	900±20	Gantry	Servo Motors	X, Y, Z pitch axes
Voltage & Frequency	220V±(10%) & 50 ~ 60Hz			Repeatability	±0.03mm
PCB Size	M	X	Configuration	X1, X2, Y1, Y2, Z1, Z2 (X : X-axis Spindle / Y : Y-axis JIG / Z : Z-axis Spindle)	
JIG (LXW) (mm)	350 X 380	500 X 500			
Max.PCB (L X W) (mm)	330 X 250	460 X 460	Controller	PC based	
Item	Standard		Safety Sensor	Light Curtain	
PCB Top Clearance (mm)	35		Ionizer	IZN10E-1106	
PCB Thickness (mm)	0.6 ~ 4.0		Vision Camera	MV-CE013-50GM	
Spindle Motor	SycoTec 4033AC (Automatic Bit replacement type, bit station included)		Dust Collector	Separate inquiry	
			Alarm	Tower Lamp (3 Colors)	
Spindle(ea)	2		Color *	SR RAL 7035 : NON ESD + Doosan Dark Gray	
JIG table(ea)	2		Air Supply	0.5 Mpa	
Bit	Multi stage control, Damage detection		Air Usage	150 ℓ/min	
			Electricity Consumption	6kw	
X-axis, Z-axis control	Independent spindle control				

### Option Spec.

Item	CODE No.	Option
Barcode Reading	O-100-HW5-1700	-
Fiducial Recognition	O-100-HW5-1800	-
Interlock with Robot-Arm	O-100-HW5-1901	I/O
	O-100-HW5-1902	RS-232
	O-100-HW5-1903	Ethernet
Spindle Monitoring System	O-100-HW5-2000	-
JIG **	-	2pcs=1set
UPS	O-100-HW5-2200	-
Color *	O-400-CO0-0100	ESD powder coating (RAL 7035 / Gray)

Line Control System for Smart Line / MES / Color-NON ESD ▶ Refer to P.114(Common Option Spec.).

\*\* Please consult our sales representative for the price of the JIG, as it varies depending on the PCB information.

\*\*\* For correct guidance of quotation and manufacturing process, the below information is needed.

1. Panel PCB 2D drawing (DWG, DWX)
  2. Panel PCB 3D drawing with all components (STP file)
- \* Before the actual manufacturing process, a Panel PCBA sample is needed.

Loader/Unloader Series

Buffer Series

Conveyor Series

Traceability / Post-processing

NOVLUX Laser Marking Machine - CO2

NOVLUX Laser Marking Machine - Hybrid

ARMAS Router - Bronze

ARMAS Router - Silver

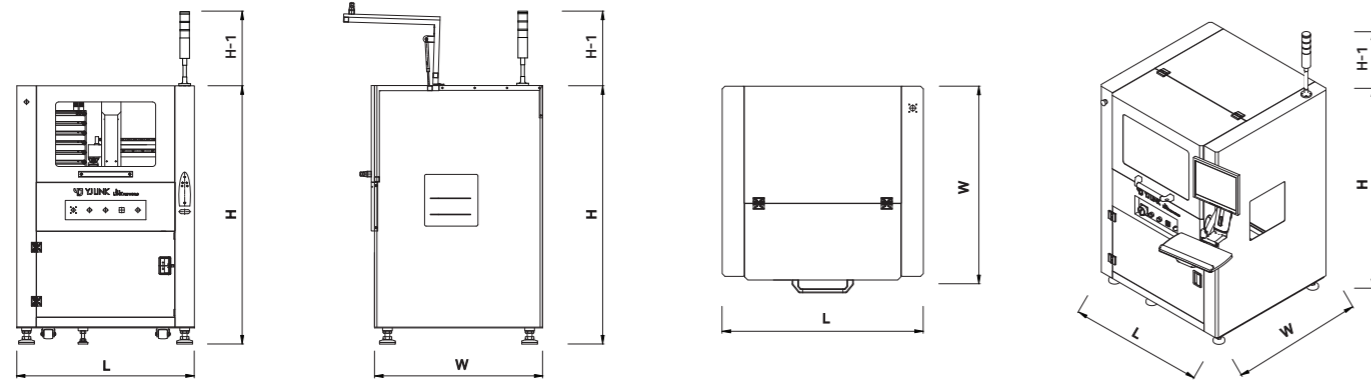
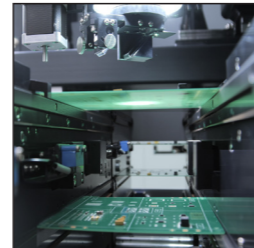
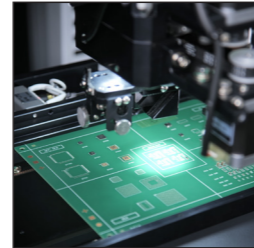
ARMAS Router - Platinum

VISPLO Reject Verification System

# VISPLO Reject Verification System



Reject Verification System is a machine located downstream of AOI that receives NG information from AOI, with a camera moving to the respective location on the PCB, and sends the actual image to the screen, allowing the operator to determine whether it is NG/OK and accurately detect false defects.



\* Dimension: Based on pass line 950mm. Height may change depending on pass line.

SMT		SIZE	DIMENSION (mm)				WEIGHT (Kg)
CODE No.	MODEL		L	W	H	H-1	
M-30C-YM5-7000	YCI-1M10	M	1100	1060	1600	2100	700
M-30C-YX5-7000	YCI-1X10	X	1550	1350	1600	2100	800

## Standard Spec.

Item	Standard		Item	Standard
Line Flow	Left to Right	Right to Left	Safety	Safety Control
Fixed Rail	Front	Rear	Camera	Specification : 5M pixel, color, GIge, 21 fps
Pass Line (mm)	950 +20/-70			CMOS sensor, 2590 x 2048 pixels
Voltage & Frequency	220~230V / 50~60Hz / 1 Phase			Digital Zoom : 80X ~ 120X(fix)
PCB Size	M	X		Resolution : 2.2um
Min.PCB (L X W) (mm)	70 X 70			FOV size : 8.1 X 4.1(mm)
Max.PCB (L X W) (mm)	330 X 250	510 X 510		Rotation : 360 degree full
Item	Standard		Main PC Controlled	OS : Windows 10 Professional 64bit
PCB Top/Bottom Clearance (mm)	30 / 30			MAIN BOARD : AIMB-785
PCB Edge (mm)	3			LAN CARD : PWLA8391 (1G)
PCB Loading Weight(kg)	1	3		MONITOR : 24 inch LED monitor
Conveyor Belt	Timing belt type			Storage1 : SSD Samsung EVO 500G
Conveyor Speed(mm/sec)	200			Storage2 : HDD WD 1TB
PCB Thickness (mm)	0.3 ~ 4.0			PCI : Ajinextek Motion board, PCIN-804
PCB Shape(Hole)	Double Sensors			PCI : Ajinextek I/O carrier board BPHD
Buffer section	10 slot (60 mm/pitch)			PCI-e SLOT : GTX-1050 DDR5-4GB
Camera Location Accuracy (mm)	-0.05 ~ 0.05			CPU : Intel 10th Gen HEXA-Core i5-10500 3.1GHz / 12MB
Camera X/Y-axis Speed	Max 500 mm/sec			Memory Samsung DDR4 64GB
Interface	SMEMA Communication			Graphic Card : GTX-1050 Ti DDR5-4GB
Color *	SR RAL 7035 : NON ESD, KCC SR N4.0			Keyboard/Mouse : Mini-Keyboard & Optical Mouse
Air Supply (Mpa)	0.5 Mpa (5bar)			Storage Backup : SSD Samsung EVO 500G
Air Usage (ℓ/min)	60		PSU : ATX 700W Auto-Switching	
Electricity Consumption	2kw			

## Option Spec.

Item	CODE No.	Option
Conveyor Speed (mm/sec) *	O-100-HW0-0104	1~200 / Analog / 4ea
Width Synchronization	O-100-SW0-0200	via RS-232
ARI-NET Program	O-200-AR5-0100	Program USB dongle(Includes PC/Monitor set)
ARI-NET License	O-200-AR5-0201	License for each YCI (max. 8)
ARS(Auto Repair System)	O-200-AR5-0300	Program USB dongle(Includes PC/Monitor set)
Color *	O-400-CO0-0100	ESD powder coating (RAL 7035 / Gray)

Line Control System for Smart Line / MES / Color-NON ESD ▶ Refer to P.114(Common Option Spec.).

Loader/Unloader Series

Buffer Series

Conveyor Series

Traceability / Post-processing

NOVLUX Laser Marking Machine - CO2

NOVLUX Laser Marking Machine - Hybrid

ARMAS Router - Bronze

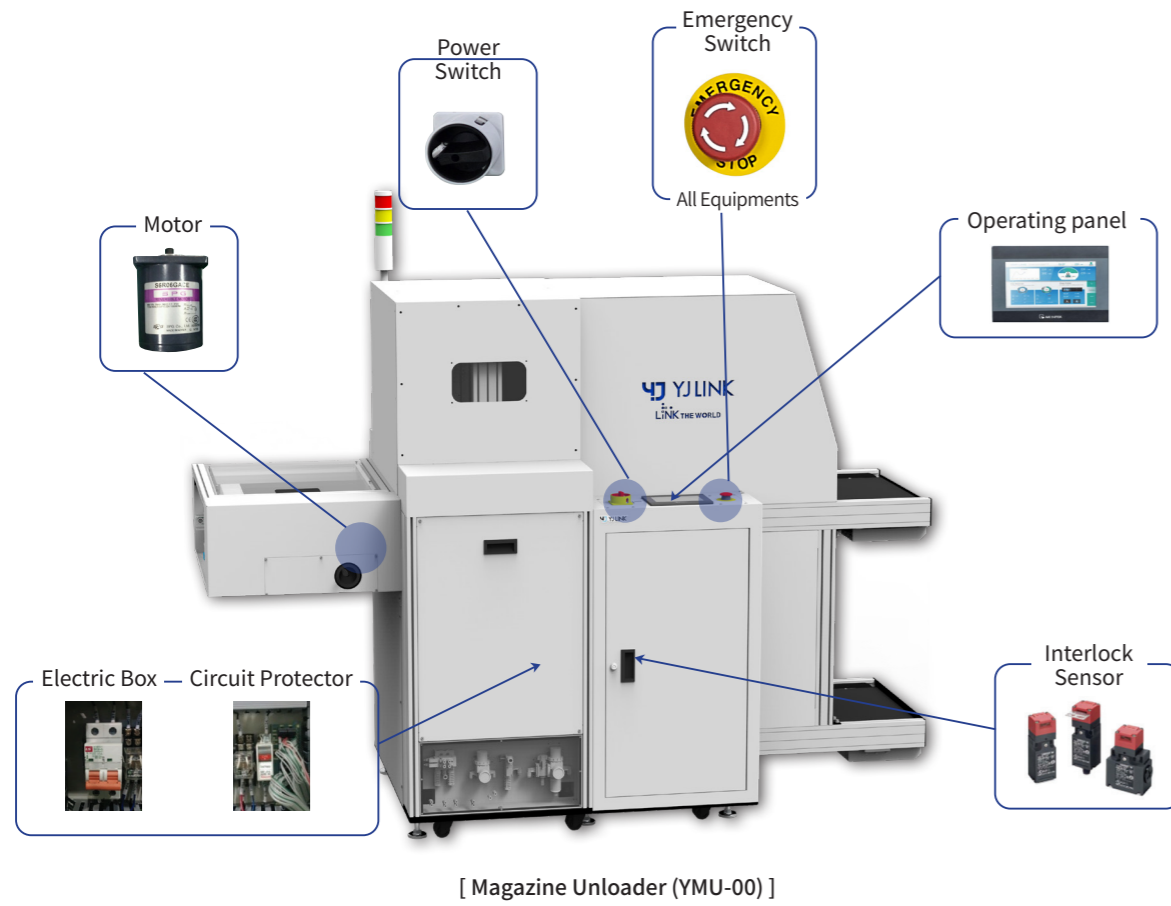
ARMAS Router - Silver

ARMAS Router - Platinum

VISPLO Reject Verification System



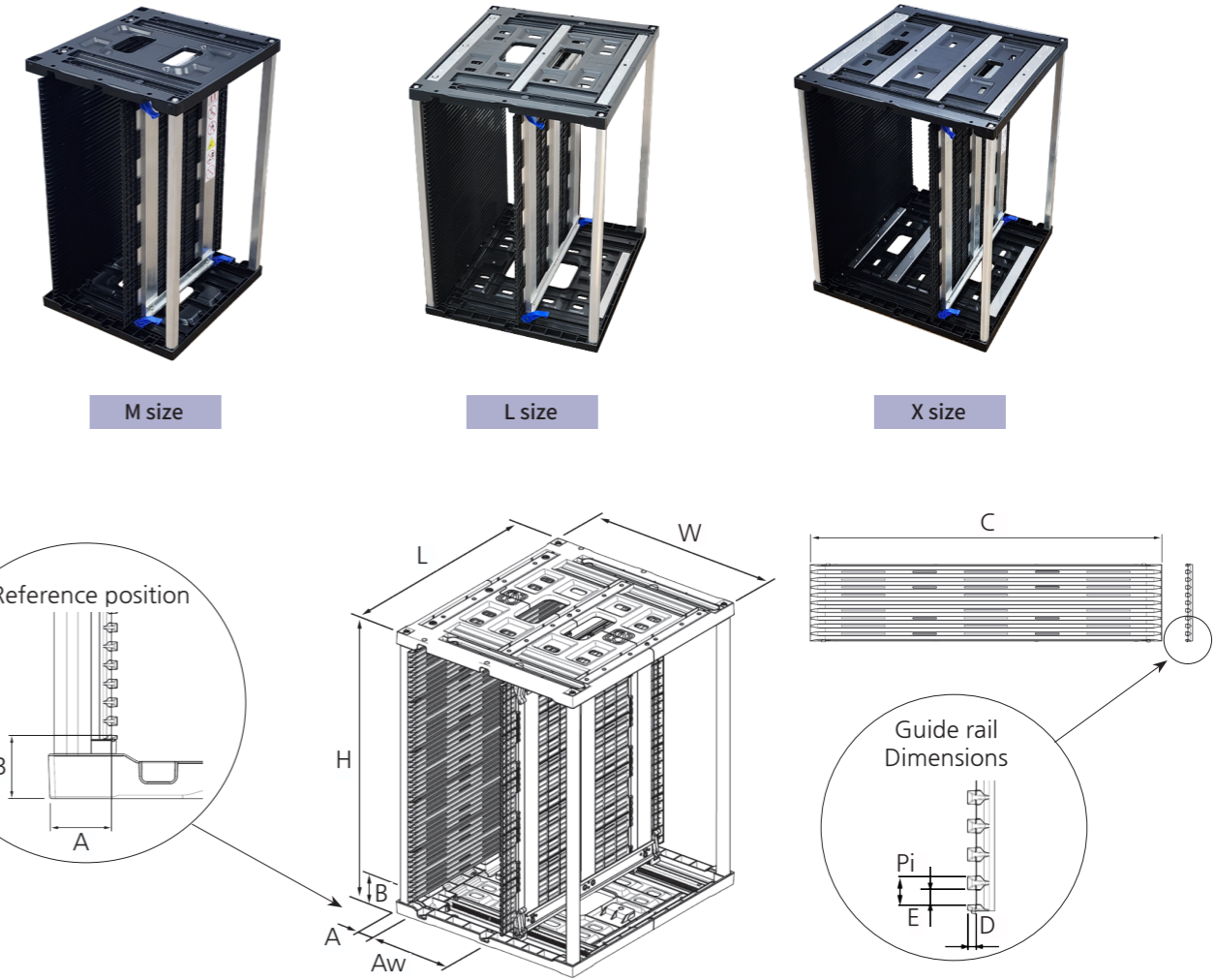
## 01 Standard Features



## 02 Common Option Spec.

Item	CODE No.	Option
Line Control System for Smart Line	O-200-LC0-0300	PC + Program
	O-200-IL0-0400	iLNB
MES	O-200-ME0-0501	Complexity - middle / low
	O-200-ME0-0502	Complexity - high
Color - NON ESD Powder Coating	O-400-CO0-0201	NON ESD - EX8816(S)-SR-WH020 (White)
	O-400-CO0-0202	NON ESD - RAL 7035 : Glossy
	O-400-CO0-0203	NON ESD - RAL 7035 : Matt

## 03 Magazine Rack



Model	Outer Dimensions			Adjustable Width (Aw)	Reference Position		Guide Rail Dimension			
	L	W	H		A	B	C	D	E	Pi
CS-MR-M	355	320	563	50-255	34	34	351	3	5	10
CS-MR-L	460	400	563	70-330	34	34	460	3	5	10
CS-MR-X	535	530	563	100-460	34	34	530	3	5	10

Model	Min. PCB size		Max. PCB size		Number of PCB Capacity	Weight (kg)	Max Tolerant Temperature for the Cardguide (Not to exceed)	Method for Width Adjustment	Base Material	Availability in Reverse	ESD	Stopper Bar (Optional)
	L	W	L	W								
CS-MR-M	70	50	330	255	50	3.9	75°C	Quick Lever	Plastic	O	10 <sup>3-5</sup>	L=548
CS-MR-L	70	70	436	330	50	6.1	75°C	Quick Lever	Plastic	O	10 <sup>3-5</sup>	L=557
CS-MR-X	70	100	510	460	50	9.2	75°C	Quick Lever	Plastic	O	10 <sup>3-5</sup>	L=557